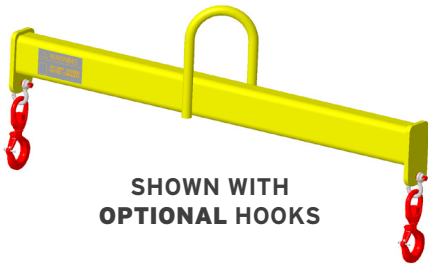


ECONOMY (FIXED LENGTH) LIFTING BEAMS

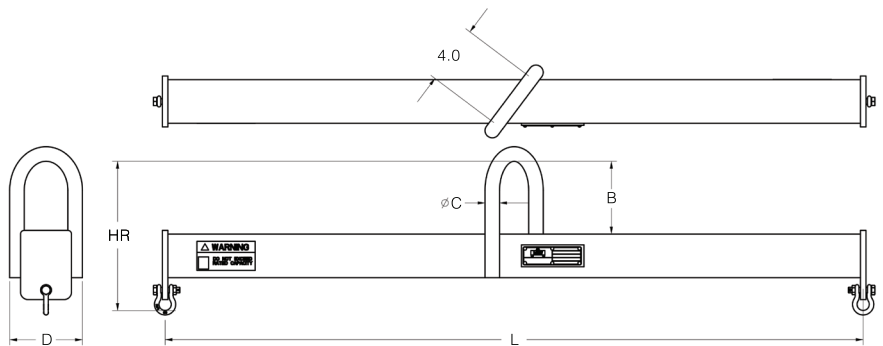
- Manufactured to exceed all ASME B30.20 and OSHA regulations.
 - Painted safety yellow for increased visibility.
 - **ALL** Lifting Beams proof loaded and shipped with certification paperwork.
 - Durable construction ideally suited to jobsite or warehouse use.
 - Beams supplied standard with shackle connections.
 - Made in U.S.A.
 - Custom designs available - call for engineering.
 - **ALL** lifting equipment individually proof loaded per OSHA requirements.
- Prop 65 – See Page 102



STANDARD WITH SHACKLES



SHOWN WITH OPTIONAL HOOKS



Working Load Limit in Pounds*	Part number Headroom Weight	Spread in Inches - L										C	B	D	Bottom Shackle Size
		24	36	42	48	54	60	66	72	96	120				
500	Part Number HR= Weight	16561 10.25 17	12540 10.25 22	15028 10.25 25	11525 10.25 28	15031 10.25 30	15034 10.25 33	15037 10.25 36	11526 10.25 38	11527 10.25 49	11528 10.25 60	0.75	5.0	3.5	5/16"
1,000	Part Number HR= Weight	16140 10.25 27	12546 10.25 28	15040 10.25 30	11529 10.25 34	15043 10.25 36	15046 10.25 40	15049 10.25 43	11530 10.25 48	11531 10.25 63	11532 11.25 94	0.75	5.0	3.5	5/16"
2,000	Part Number HR= Weight	16124 10.25 26	15054 10.25 35	15057 10.25 39	11533 10.25 47	15060 11.25 57	15063 11.25 62	15066 11.25 67	11534 11.25 72	11535 13.25 124	11536 12.25 132	1.00	5.0	5.0	5/16"
4,000	Part Number HR= Weight	16381 11.51 32	15070 12.50 50	15073 12.50 54	11537 12.50 61	15076 13.50 75	15079 13.50 82	15082 13.50 89	11538 13.50 96	11539 13.50 124	11540 15.50 187	1.00	5.0	5.0	3/8"
6,000	Part Number HR= Weight	16382 14.77 48	14433 15.77 66	15085 15.77 73	14438 17.77 95	15092 17.77 104	15095 17.77 113	15098 17.77 122	14442 17.77 130	14445 17.77 227	14452 17.77 351	1.50	7.0	6.0	7/16"

* Call for specifications on larger sizes and capacities