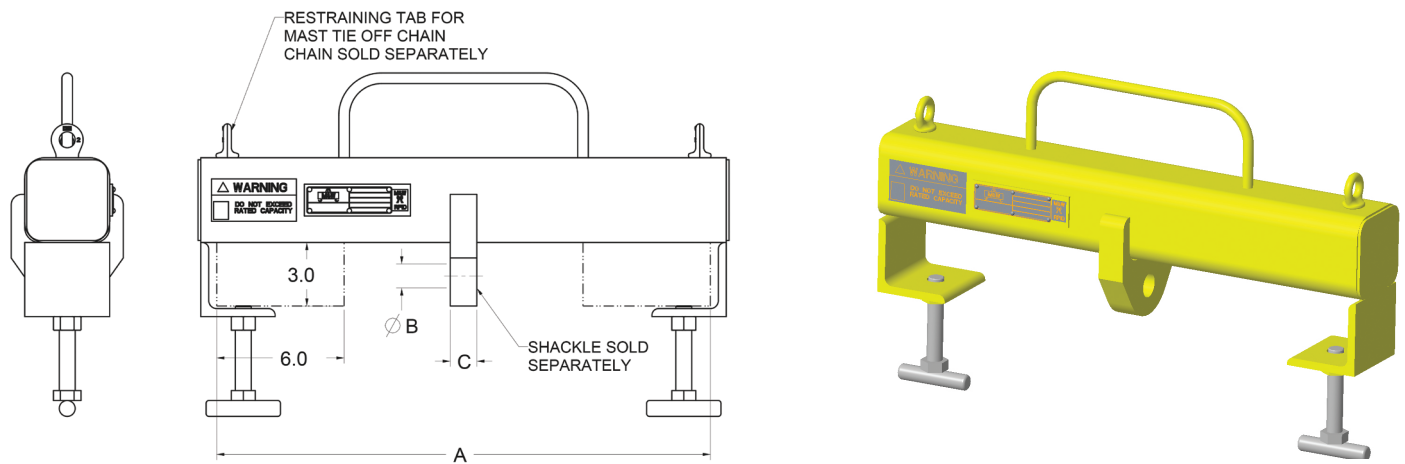


**FORKLIFT LIFTING BEAMS - INSIDE SHACKLE MOUNT**

- Manufactured to exceed all ASME B30.20 and OSHA regulations.
- Painted safety yellow for increased visibility.
- **ALL** forklift attachments proof loaded and shipped with certification paperwork.
- Durable construction ideally suited to jobsite or warehouse use.
- Carrying handle for easy placement by personnel - **HANDLE NOT INTENDED FOR LIFTING LOADS.**
- Check with manufacturer of your forklift for load capabilities.
- Made in U.S.A.
- Custom designs available - call for engineering.
- **ALL** lifting equipment individually proof loaded per OSHA requirements.
- Includes forklift restraining tabs.

Prop 65 – See Page 102



Working Load Limit in Pounds*	Part Number	A	B	C	Weight	Shackle Size
5,000	11619	19.25	0.810	1.00	30	5/8"
10,000	11620	23.25	1.130	1.25	50	7/8"

\* Call for specifications on larger sizes and capacities

**OPTIONAL MAST TIE OFF CHAIN:**

Part Number	
20410	Mast Tie Off Chain - 8' Long