


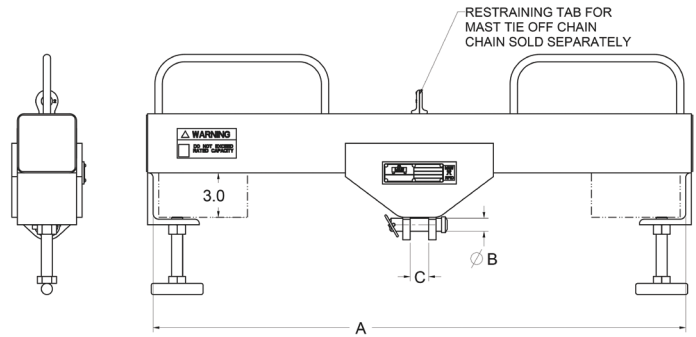
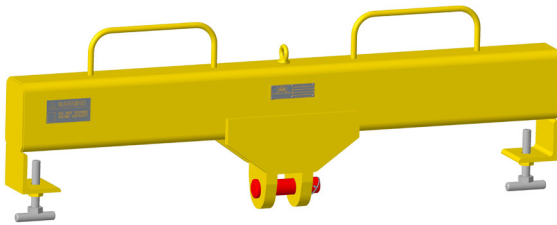
FORKLIFT ATTACHMENTS

Forklift Lifting Beam Inside Pin Mount

FORKLIFT LIFTING BEAM - INSIDE PIN MOUNT

- Manufactured to exceed all ASME B30.20 and OSHA regulations.
- Painted safety yellow for increased visibility.
- **ALL** forklift attachments proof loaded and shipped with certification paperwork.
- Durable construction ideally suited to jobsite or warehouse use.
- Carrying handles for easy placement by personnel - **HANDLE NOT INTENDED FOR LIFTING LOADS.**
- Check with manufacturer of your forklift for load capabilities.
- Made in U.S.A.
- Custom designs available - call for engineering.
- **HOOK NOT INCLUDED.**
- Swivel Hook with bearing available for applications where the load needs to swivel while suspended.
- Includes forklift restraining tabs.

 Prop 65 – See Page 102



Working Load Limit in Pounds*	Part Number	Weight in Pounds	A	B	C	Swivel Hook part number	Swivel Hook with bearing part number
5,000	16337	56	36	0.88	1.25	1048831	1028614
10,000	16336	75	36	1.13	1.75	1048837	1028623
15,000	17000	135	48	1.38	2.25	1048865	1028641
20,000	16338	156	36	1.50	2.25	1048865	1028641

* Call for specifications on larger sizes and capacities

OPTIONAL MAST TIE OFF CHAIN:

Part Number	
20410	Mast Tie Off Chain - 8' Long