
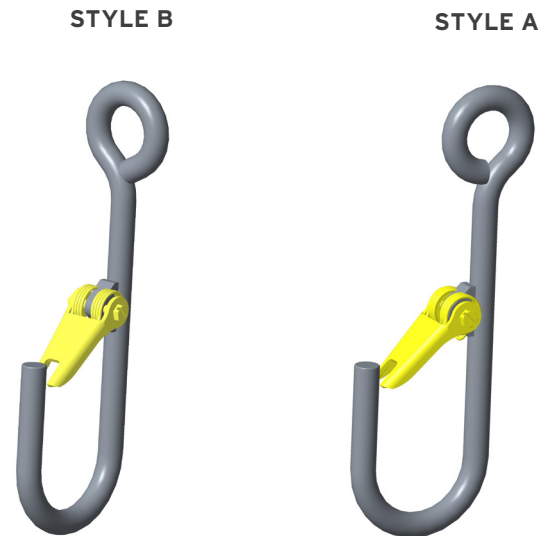
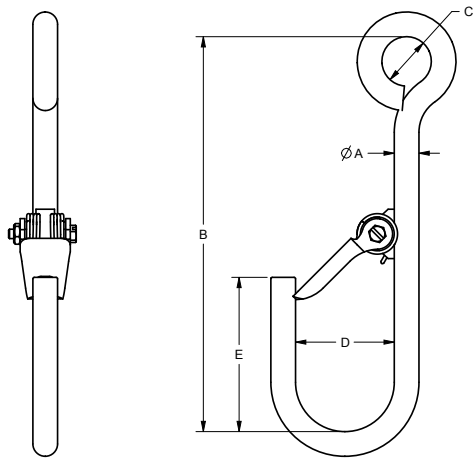


LIFTING HOOKS : ALLOY STEEL LATCHING J-HOOKS

- Manufactured to exceed all ASME B30.20 and OSHA regulations.
- Corrosion resistant finish.
- Durable construction ideally suited to jobsite or warehouse use.
- Made in U.S.A.
- $\pm 4\%$ on dimensions.
- All eyes welded unless otherwise specified.
- **Maximum use temperature is 400° F.**

 Prop 65 – See Page 102



Material Diameter in Inches*	Style A Part Number	Style B Part Number	Standard Alloy Steel J-Hooks						Latch	Working Load Limit in Pounds*
			A	B	C	D	E	F		
1/4	16284	17595	0.25	4.50	1.00	1.25	2.00	0.82	1096325	125
5/16	16016	17596	0.32	5.00	1.00	1.25	2.00	1.01	1096421	250
3/8	14924	17611	0.38	6.00	1.00	1.50	2.38	1.10	1096468	365
1/2	14767	17612	0.50	8.00	1.00	2.00	3.13	1.48	1096515	650
5/8	14930	17613	0.62	9.00	1.00	2.50	4.32	1.72	1096562	1,000
3/4	16383	17614	0.75	10.00	1.25	3.00	5.25	2.03	1096609	1,435
7/8	16384	17615	0.88	12.00	1.25	3.50	6.25	2.38	1096657	1,900
1	16385	17616	1.00	14.00	1.25	4.50	8.25	2.90	1096704	2,300

*Larger capacities and custom configurations available. Please call for ordering assistance.