
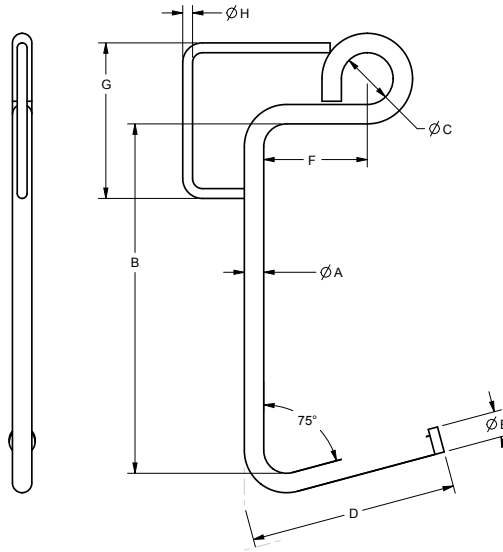
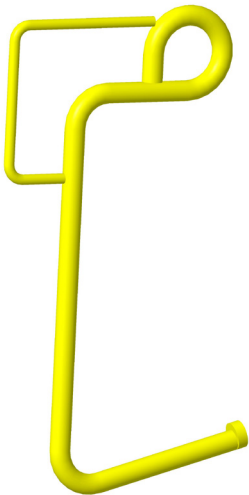


LIFTING HOOKS : ALLOY STEEL SORTING HOOKS

- Manufactured to exceed all ASME B30.20 and OSHA regulations.
- Corrosion resistant finish.
- Durable construction ideally suited to jobsite or warehouse use.
- Made in U.S.A.
- ±4% on dimensions.
- Custom designs available - call for engineering.
- All eyes welded unless otherwise specified.
- **Maximum use temperature is 400° F.**
- Handle not designed for lifting.

 Prop 65 – See Page 102



| Material Diameter in Inches* | Part Number | Standard Alloy Steel Sorting Hooks | | | | | | Weight | Working Load Limit in Pounds* |
|------------------------------|--------------|------------------------------------|------|------|------|------|------|--------|-------------------------------|
| | | B | C | D | E | F | G | | |
| 1/2 | 13457 | 3.25 | 1.50 | 4.00 | 0.75 | 1.88 | 4.00 | 1.0 | 100 |
| 3/4 | 13425 | 13.50 | 2.00 | 8.00 | 1.00 | 4.00 | 6.00 | 4.5 | 300 |
| 7/8 | 13424 | 13.50 | 2.00 | 8.00 | 1.00 | 3.88 | 6.00 | 6.0 | 450 |

*Larger capacities and custom configurations available. Please call for ordering assistance.