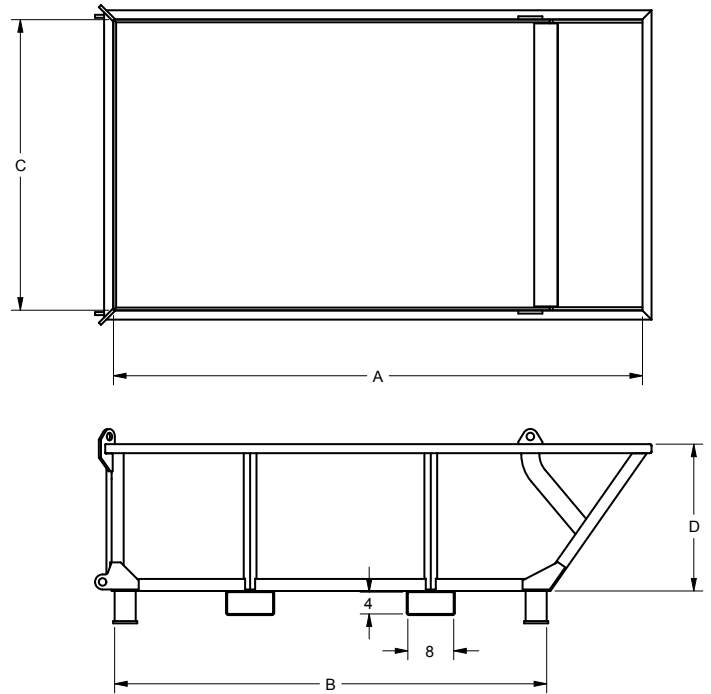
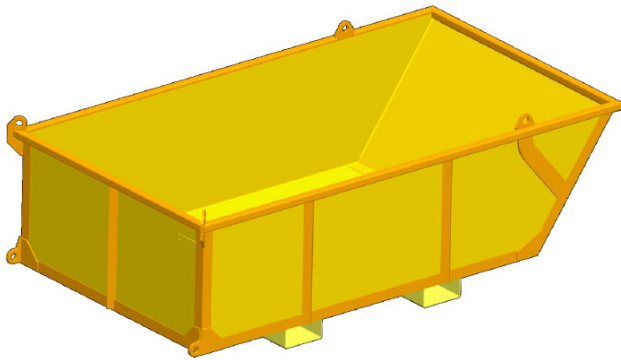


MATERIAL BASKETS WITH FIXED SIDES

- Manufactured to exceed all ASME B30.20 and OSHA regulations.
- Painted safety yellow for resistance to corrosion.
- **ALL** material baskets shipped with proof load certification paperwork.
- Durable construction ideally suited to jobsite or warehouse use.
- Made in U.S.A.
- Custom designs available - call for engineering.
- **NOT INTENDED FOR PERSONNEL LIFTING.**
- **Not water tight**

 Prop 65 – See Page 102



Capacity in Pounds*	Part Number	A	B	C	D	Weight
2,500	11857	87	72	48	24	700
4,000	15211	96	81	48	24	720

* Call for specifications on larger sizes and capacities