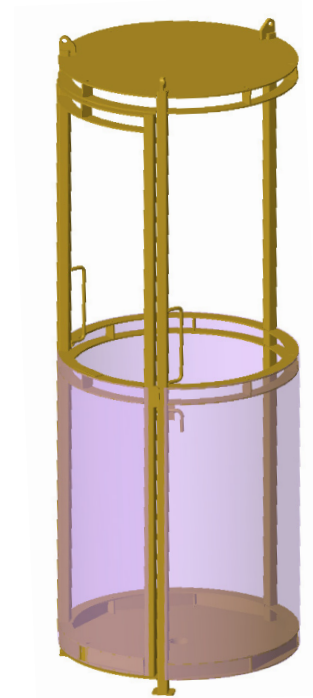
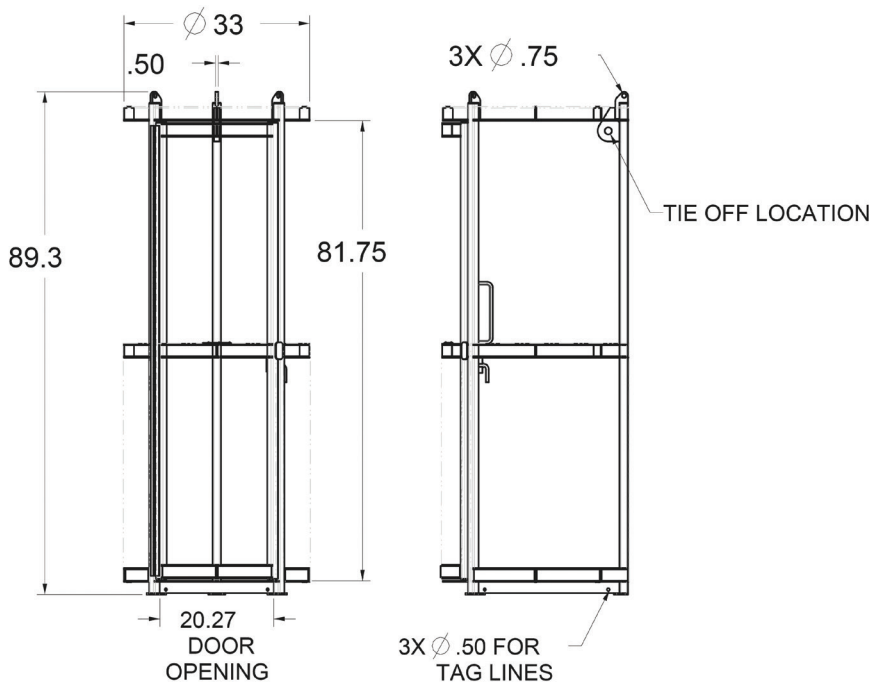


**SUSPENDED ROUND PERSONNEL BASKET WITH OPTIONAL TEST WEIGHT**

- Painted safety yellow for increased visibility.
  - **ALL** Personnel Baskets shipped with proof load certification paperwork.
  - Durable construction ideally suited to jobsite or warehouse use.
  - Made in U.S.A.
  - Lifting point shackles not included.
- Prop 65 – See Page 102



Capacity in Pounds*	Basket Part Number	Weight	Outside Diameter
500	16465	550	33"

\* Call for specifications on larger sizes and capacities

OPTIONAL EQUIPMENT	
Test Weight	15729
3-leg suspension rigging bridle with Bolt-Type anchor shackles	19514