

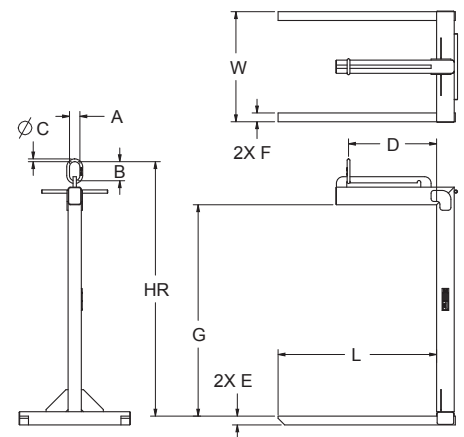
PALLET LIFTERS

- Manufactured to exceed all ASME B30.20 and OSHA regulations.
- Painted safety yellow for increased visibility.
- **ALL** material handling equipment proof loaded and shipped with certification paperwork.
- Durable construction ideally suited to jobsite or warehouse use.
- Made in U.S.A.
- Custom designs available - call for engineering.

Prop 65 – See Page 102

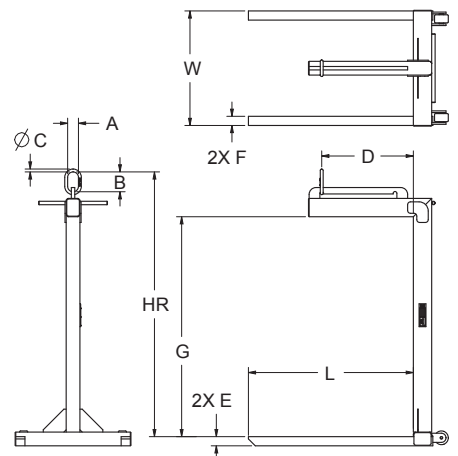
| Working Load Limit in Pounds* | Part Number | Weight in Pounds | HR | A | B | C | D | E | F | G | L | W |
|-------------------------------|-------------|------------------|------|------|------|------|------|-----|-----|----|----|----|
| 2,000 | 14511 | 190 | 57.8 | 2.36 | 4.33 | 0.63 | 20 | 2 | 2 | 48 | 36 | 25 |
| 4,000 | 14512 | 335 | 58.8 | 2.36 | 4.33 | 0.63 | 20 | 2 | 4 | 48 | 36 | 25 |
| 6,000 | 14513 | 460 | 62.8 | 3.94 | 7.09 | 1.03 | 18 | 2.5 | 4.5 | 48 | 36 | 27 |
| 8,000 | 16664 | 660 | 46.2 | 3.94 | 7.09 | 1.03 | 17.5 | 3 | 5 | 48 | 36 | 27 |

* Call for specifications on larger sizes and capacities



Converts crane or hoist into aerial forklift.

Converts crane or hoist into aerial forklift.



| Working Load Limit in Pounds* | Part Number | Weight in Pounds | HR | A | B | C | D | E | F | G | L | W |
|-------------------------------|-------------|------------------|------|------|------|------|----|---|---|----|----|----|
| 2,000 | 14538 | 190 | 57.8 | 2.36 | 4.33 | 0.63 | 20 | 2 | 2 | 48 | 36 | 25 |
| 4,000 | 14537 | 335 | 58.8 | 2.36 | 4.33 | 0.63 | 20 | 2 | 4 | 48 | 36 | 25 |

* Call for specifications on larger sizes and capacities