
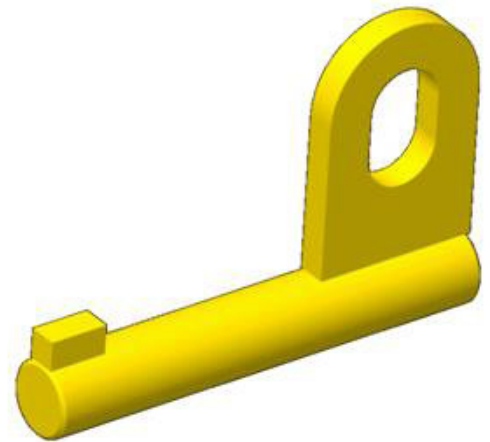
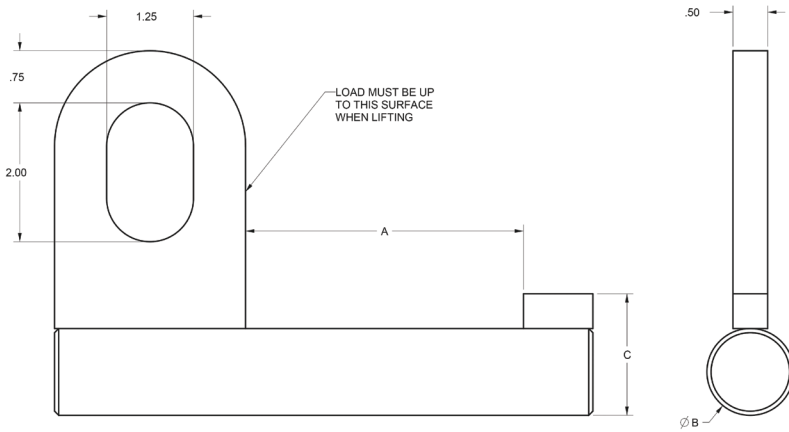


**MANHOLE TOGGLE KEY**

- Manufactured to exceed all ASME B30.20 and OSHA regulations.
- Painted safety yellow for increased visibility.
- Durable construction ideally suited to jobsite or warehouse use.
- Made in U.S.A.
- Machined to exacting tolerances.
- Custom designs available - call for engineering.
- **ALL** lifting equipment individually proof loaded per OSHA requirements.

 Prop 65 – See Page 102



Working Load Limit in Pounds	Part Number	Weight	A	B	C
3,500	<b>12434</b>	3	4.0	1.25	1.75
3,200	<b>16300</b>	5	8.25	1.13	1.63
2,200	<b>17761</b>	6	11.0	1.25	1.38
3,400	<b>19123</b>	5	6.0	1.25	1.75