

BEAM CLAMPS

Large Frame

LARGE FRAME BEAM CLAMPS

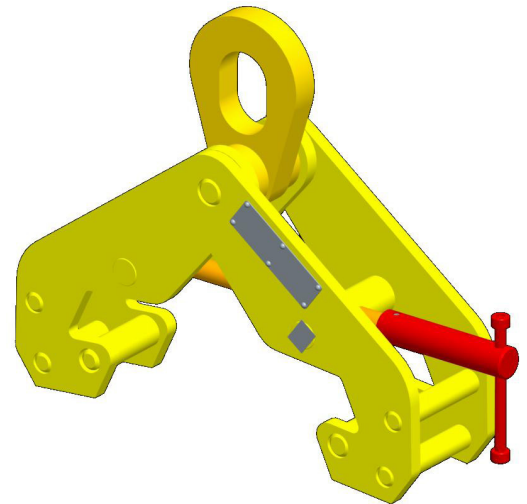
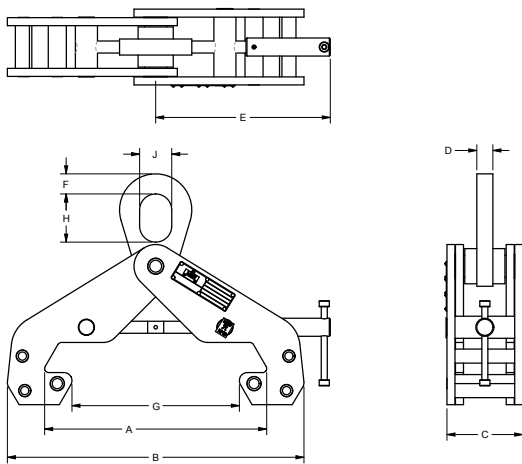
- Manufactured to exceed all ASME B30.20 and OSHA regulations.
- Painted safety yellow for increased visibility.
- Do not side load above angles of 45° from vertical.
- Durable construction ideally suited to jobsite or warehouse use.
- Made in U.S.A.
- Custom designs available - call for engineering.
- **ALL** lifting equipment individually proof loaded per OSHA requirements.

 Prop 65 – See Page 102

- Refer to side loading table below for reduction factors for side loading applications.
- Clamps to be used for lifting, pulling or as an anchor point.
- Ratings apply to clamps only. User is responsible for engineering calculations for all support steelwork.

WARNING: All clamps must be correctly applied to the beam by a competent person and fully hand tightened. If in doubt, contact M&W for recommendations.

| Reduction in Working Load Limits when side loads are applied | | | | |
|--|------|---------|----------|----------|
| Angle from Vertical | 0° | 0 - 15° | 15 - 30° | 30 - 45° |
| Reduction factor | none | 20% | 35% | 50% |



| Working Load Limit in Pounds* | Part # | A | B | C | D | E | F | G | H | J | Weight | Maximum Flange Thickness | Maximum Flange Width | Minimum Flange Width | Maximum Slip Over Width |
|-------------------------------|--------|-------|-------|------|------|-------|------|-------|------|------|--------|--------------------------|----------------------|----------------------|-------------------------|
| 15,680 | 13659 | 16.02 | 20.92 | 4.72 | 1.00 | 10.88 | 1.25 | 12.94 | 3.00 | 1.75 | 34.1 | 1.25 | 13.75 | 4.50 | 13.38 |
| 22,400 | 13674 | 16.02 | 20.92 | 4.72 | 1.25 | 10.88 | 1.50 | 12.94 | 3.75 | 2.50 | 43.1 | 1.25 | 13.75 | 4.50 | 13.38 |

*Call for specifications on larger sizes and capacities.