

SYNTHETIC SLING

Triangle and Choker
Steel



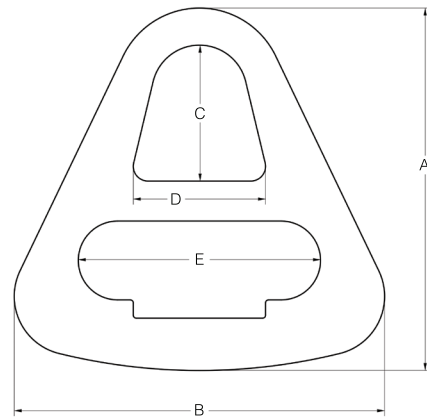
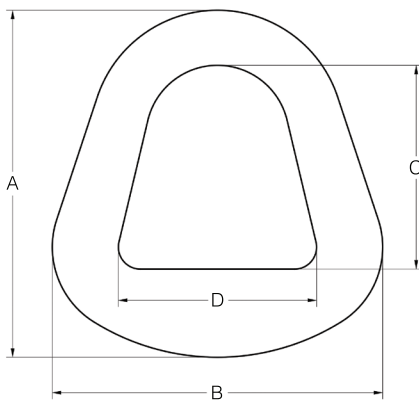
SYNTHETIC SLING TRIANGLES AND CHOKERS : STEEL

- Steel Triangle and Choker fittings engineered to be used on single-ply, two-ply, three-ply, and four-ply slings.
- Powder coat painted for resistance to corrosion.
- Alloy steel for overhead lifting applications.
- 100% domestic parts and workmanship.
- Machined to exacting tolerances.

Prop 65 – See Page 102

SPECIFICATIONS FOR 2-PLY STEEL TRIANGLES							Minimum Breaking Strength
Part Number	Sling Width	Dimensions				Weight	
		A	B	C	D		
11455	2	3.94	3.75	2.31	2.25	1.0	33,000
11456	3	5.31	5.00	3.31	3.06	1.8	44,500
11457	4	6.75	6.75	3.75	4.25	3.2	58,000
12337	5	7.70	7.81	4.60	5.13	3.79	70,000
11458	6	9.25	9.38	5.50	6.13	5.7	84,000
11459	8	11.88	12.25	7.50	8.44	12.06	112,000
11460	10	13.25	13.88	8.63	10.88	14.41	140,000
11461	12	15.75	16.69	10.31	13.00	20.24	160,000

SPECIFICATIONS FOR 4-PLY STEEL TRIANGLES							Minimum Breaking Strength
Part Number	Sling Width	Dimensions				Weight	
		A	B	C	D		
14476	2	4.38	3.75	2.31	2.25	3.3	62,000
11938	3	5.81	5.50	3.31	3.06	5.7	93,000
12441	4	6.5	6.75	3.75	4.25	7.6	110,000
12440	6	9.15	9.38	5.50	6.13	13.8	165,000
12313	8	13.07	12.75	7.50	8.61	21.8	220,000
14431	10	15.87	16.00	8.87	11.00	35.2	285,000
12543	12	18.75	19.25	10.50	13.00	48.4	330,000



SPECIFICATIONS FOR 2-PLY STEEL CHOKERS							Minimum Breaking Strength	
Part Number	Sling Width	Dimensions						Weight
		A	B	C	D	E		
11462	2	6.16	6.29	2.31	2.24	4.12	2.9	33,000
11463	3	8.00	8.17	3.31	3.06	5.40	4.3	44,500
11464	4	9.40	10.67	3.75	4.25	7.10	6.8	58,000
12338	5	11.18	12.16	4.62	5.15	8.19	9.0	70,000
11465	6	13.25	14.48	5.50	6.13	9.75	13.1	84,000
12297	8	14.31	16.19	7.13	5.14	12.00	23.0	112,000
12296	10	16.88	17.88	8.44	5.26	13.38	27.0	140,000
12312	12	20.25	21.44	10.13	6.30	16.00	38.9	160,000

SPECIFICATIONS FOR 4-PLY STEEL CHOKERS							Minimum Breaking Strength	
Part Number	Sling Width	Dimensions						Weight
		A	B	C	D	E		
14477	2	8.75	7.00	2.25	2.25	4.50	8.4	62,000
13368	3	9.13	9.05	3.00	3.31	5.75	11.4	93,000
12442	4	10.50	10.67	3.75	4.25	7.10	13.4	110,000
12439	6	14.12	14.48	5.50	6.13	9.75	25.7	165,000
12314	8	16.38	17.00	7.00	5.14	13.14	40.0	220,000
14430	10	21.75	24.00	8.50	6.50	16.68	65.4	285,000
12544	12	25.50	28.25	10.00	8.00	19.63	86.5	330,000