


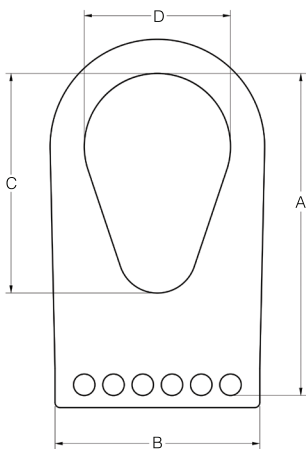
CHAIN MESH SLING

Triangle and Choker

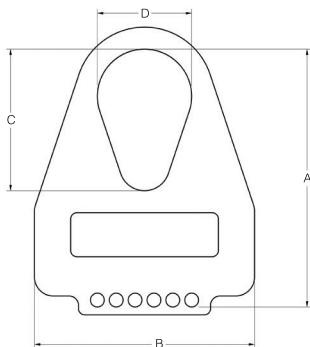
GRADE 80 ALLOY CHAIN MESH SLING TRIANGLES AND CHOKERS

- Steel Triangle and Choker fittings engineered to be used on chain mesh slings.
- Powder coat painted for resistance to corrosion.
- Alloy steel for overhead lifting applications.
- 100% domestic parts and workmanship.
- Machined to exacting tolerances.

 Prop 65 – See Page 102



SPECIFICATIONS FOR CHAIN MESH ALLOY STEEL TRIANGLES								WLL Vertical	WLL Choker	WLL Basket
Part Number	Chain Size	Chain Parts	Dimensions				Weight			
			A	B	C	D				
18980	7/32"	3	6.75	3.00	4.13	2.75	1.0	5,000	5,000	10,000
18981		4	6.75	3.75	4.13	2.75	2.5	6,700	6,700	13,400
18982		5	8.00	4.50	5.25	3.50	3.2	8,400	8,400	16,800
18983		6	8.25	5.25	5.63	3.75	3.8	10,800	10,800	21,600
18984	9/32"	3	6.62	4.5	4.13	2.75	3.0	8,400	8,400	16,800
18985		4	6.62	4.5	4.13	2.75	3.5	11,200	11,200	22,400
18986		5	8.00	5.25	5.25	3.50	4.5	14,000	14,000	28,000
18987		6	8.25	5.75	5.63	3.75	5.0	16,800	16,800	33,600
18988	3/8"	3	6.88	4.25	5.25	3.50	5.0	17,000	17,000	34,000
18989		4	8.13	6.00	6.50	4.38	7.0	22,700	22,700	45,400
18990		5	8.38	6.50	6.25	4.38	9.0	28,400	28,400	56,800
18991		6	9.75	8.00	7.88	5.25	12.0	34,000	34,000	68,000
18992	1/2"	2	10.38	4.88	7.88	5.25	7.0	19,200	19,200	38,400
18993		3	10.38	6.50	7.88	5.25	13.0	28,800	28,800	57,600
18994		4	11.00	8.13	7.88	5.25	15.0	38,400	38,400	76,800



SPECIFICATIONS FOR CHAIN MESH ALLOY STEEL CHOKER								WLL Vertical	WLL Choker	WLL Basket
Part Number	Chain Size	Chain Parts	Dimensions				Weight			
			A	B	C	D				
18995	7/32"	3	8.75	7.00	4.13	2.75	4.0	5,000	5,000	10,000
18996		4	8.75	7.00	4.13	2.75	4.0	6,700	6,700	13,400
18997		5	9.75	8.50	5.25	3.50	4.0	8,400	8,400	16,800
18998		6	10.25	8.75	5.63	3.75	5.0	10,800	10,800	21,600
18999	9/32"	3	8.69	7.50	4.13	2.75	5.7	8,400	8,400	16,800
19000		4	8.62	7.00	4.13	2.75	5.7	11,200	11,200	22,400
19001		5	9.75	8.5	5.25	3.50	7.0	14,000	14,000	28,000
19002		6	10.25	9.00	5.63	3.75	7.5	16,800	16,800	33,600
19029	3/8"	4	11.62	10.00	6.50	4.38	14.5	22,700	22,700	45,400