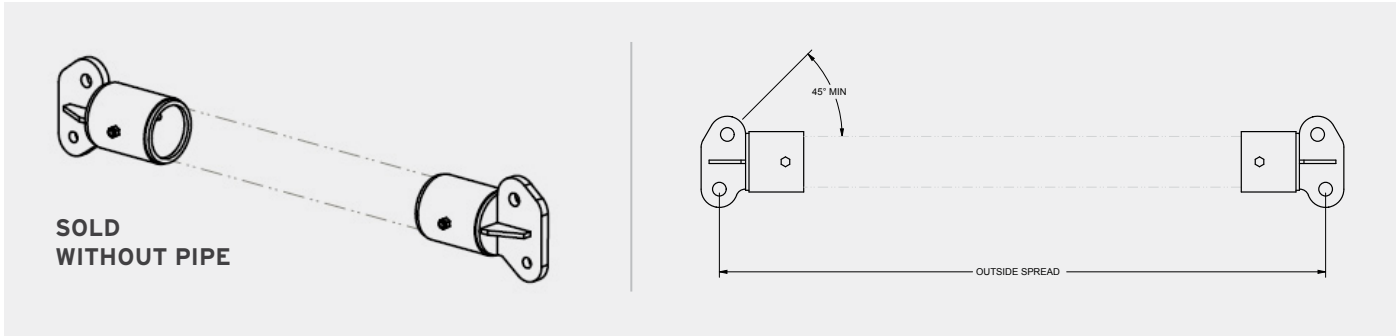


CUSTOM SPREADER BEAM END CAP KITS

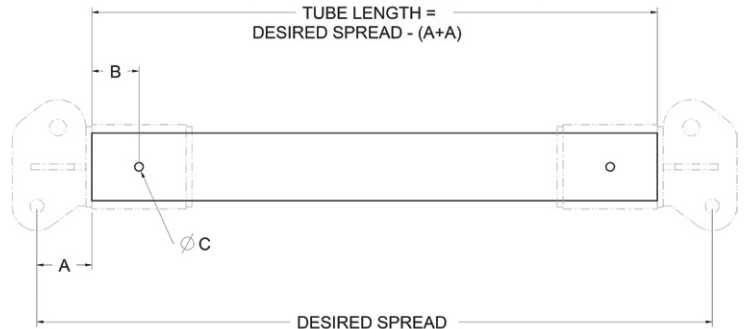


End Cap Part Number	Pipe Size	Top Shackle Min	Top Shackle Max	Bottom Shackle Min	Bottom Shackle Max	Weight per Pair
19499	2-1/2"	1/2"	7/8"	1/2"	7/8"	28
19500	5"	3/4"	1-1/4"	3/4"	1-1/4"	50
19120	8"	1"	1-3/4"	1"	1-1/2"	288

PIPE CAN BE SUPPLIED BY M&W
CALL FOR QUOTE

* Pipe Sold Separately

Part Number	A53 Grade B Schedule 40	A	B	DIA C
19499	2 1/2"	2.75	4	0.69
19500	5"	3.25	4	0.69
19120	8"	7	6	1.06



ORDERING INFORMATION

End cap kits are sold in pairs for models 19499, 19500 and 19120. Each cap kit comes complete with retaining bolts, capacity tags, and individual proof load certifications. End cap kits are proof tested and serial numbered in pairs.

Complete spreader beams can be ordered from the chart above in standard lengths. For example, a 10' spreader beam with 39 tons Working Load Limit capacity would use the 19120 end cap kits and would be supplied assembled with the proper A53 Grade B, Schedule 40 pipe. The pipe would also be tagged and serial numbered. From the chart above, the user would order part number 19120-120. Complete spreader beams are also shipped with individual proof load certification paperwork.

SPREADER BEAMS


Custom Spreader Beam

End Cap Kits



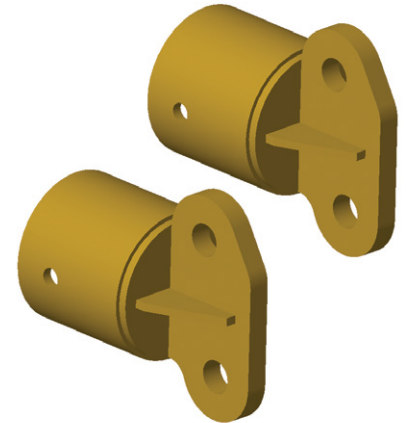
CUSTOM SPREADER BEAM END CAP KITS

- Manufactured to exceed all ASME B30.20 and OSHA regulations when assembled to specifications using A53 Grade B Schedule 40 pipe.
- Painted safety yellow for increased visibility.
- **ALL** End Caps shipped with proof load certification paperwork.
- Durable construction ideally suited to jobsite or warehouse use.
- Made in U.S.A.
- Top rigging available - call for details.
- Custom designs available - call for engineering.
- **ALL** lifting equipment individually proof loaded per OSHA requirements.
- Minimum horizontal top rigging angle of 45° - M&W recommends a minimum angle of 60°.

 Prop 65 – See Page 104

OUTSIDE SPREAD IN FEET / WLL IN POUNDS																					
Part #	Pipe Size	4'	5'	6'	8'	10'	12'	14'	15'	16'	18'	20'	22'	24'	26'	28'	30'	32'	34'	36'	
19499	2 1/2"	15,000	14,000	13,000	11,000	8,000	5,800	4,000	3,000												
19500	5"	34,000	34,000	34,000	34,000	34,000	32,000	30,000	28,000	26,000	24,000	20,000	16,000	14,000	12,000	10,000	9,000				
19120	8"	78,000	78,000	78,000	78,000	78,000	76,000	76,000	72,000	70,000	66,000	62,000	58,000	54,000	50,000	46,000	42,000	38,000	32,000	30,000	

* Minimum horizontal top rigging angle is 45° on all fixed and adjustable spreaders. M&W recommends a minimum horizontal top rigging angle of 60°.



TECHNICAL INFORMATION

End cap kits are designed for use with A53 Grade B, Schedule 40 pipe between the end fittings and must have no weld joint irregularities. This steel pipe is widely available, and also available from M&W. The model 19499 uses a 2-1/2" nominal size pipe, the 19500 uses a 5" nominal size pipe and the 19120 uses an 8" nominal size pipe.

Lengths of pipe between end cap kits must be straight to within +/- 1/8" from each end, and ends of pipe should be cut squarely and cleanly from the centerline of the pipe. Lengths of pipe should be free from any factory defects, irregularities, or damage.

Each end of the length of pipe must have the correct diameter holes drilled through both ends and in proper alignment through both walls of the pipe. The model 19499 uses a Grade 8 hex head cap screw 5/8"-11 with a length of 4-1/2". The model 19500 uses a Grade 8 hex head cap screw 5/8"-11 with a length of 8". The model 19120 uses a Grade 8 hex head cap screw 1"-8 with a length of 11-1/2".