

FORKLIFT ATTACHMENTS

Bulk Container Fork Lift Beam

FORKLIFT LIFTING BEAMS - BULK CONTAINER FORK LIFT BEAM

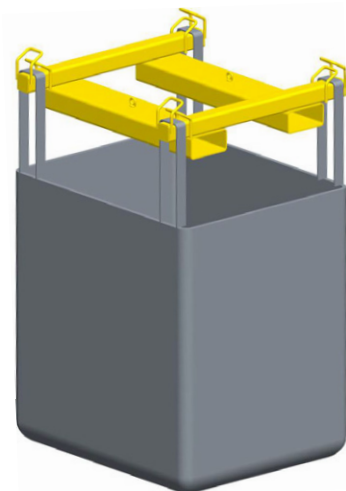
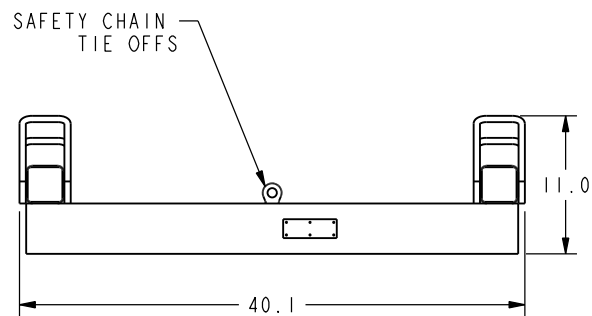
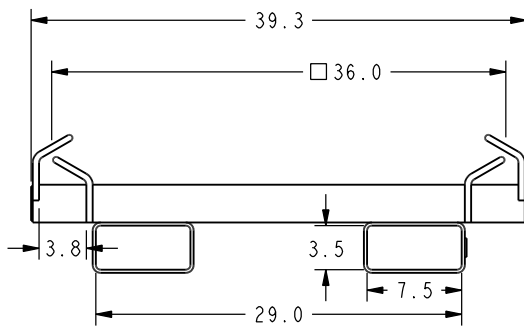
- Manufactured to exceed all ASME B30.20 and OSHA regulations.
- Painted safety yellow for increased visibility.
- **ALL** forklift attachments proof loaded and shipped with certification paperwork.
- Durable construction ideally suited to jobsite or warehouse use.
- Check with manufacturer of your forklift for load capabilities.
- Made in U.S.A.
- Custom designs available - call for engineering.
- **ALL** lifting equipment individually proof loaded per OSHA requirements.
- Includes forklift restraining tabs.

Prop 65 – See Page 104



P/N 24381

WEIGHT 195 LBS



OPTIONAL MAST TIE OFF CHAIN:

Part Number	
20410	Mast Tie Off Chain - 8' Long

WARNING: M&W fork beams, fork booms, fork pockets and other lift attachments are modifications or additions that affect capacity and/or safe operation of forklifts (powered industrial trucks) and shall not be used without prior written approval from the forklift manufacturer. Capacity, Operation, Maintenance instruction plates, tags, and/or Decals shall be changed accordingly and not provided by M&W.

Reference OSHA 1910.178 | Any forklift attachment must use a tie off restraint to prevent from sliding off forks, sold separately