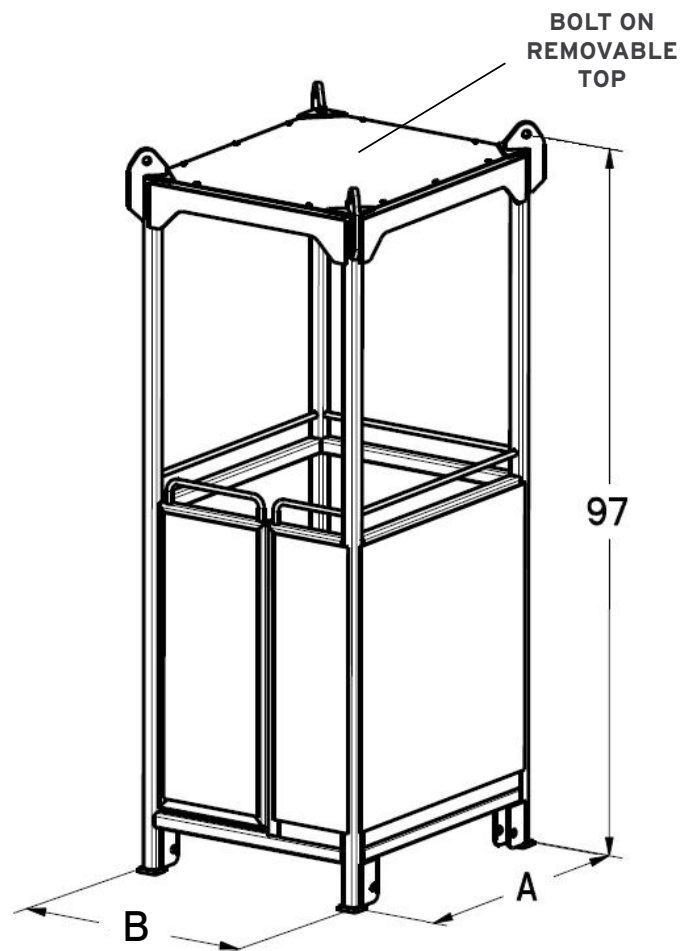


SUSPENDED PERSONNEL BASKET WITH OPTIONAL TEST WEIGHT AND SUSPENSION RIGGING

- Painted safety yellow for increased visibility.
- **ALL** Personnel Baskets shipped with proof load certification paperwork.
- Durable construction ideally suited to jobsite or warehouse use.

- Made in U.S.A.
- Lifting point shackles included with suspension rigging.

 Prop 65 – See Page 104




PERSONNEL BASKET

with optional Test Weight and Suspension Rigging

PERSONNEL BASKET WITH OPTIONAL TEST WEIGHT AND SUSPENSION RIGGING

- Meets or exceeds ASME B30.23 specifications.
- **EACH** personnel basket individually load tested with inspection and OSHA certification paperwork included.
- Sides enclosed with solid metal to the intermediate rail.
- Grab rail on entire perimeter.
- Non-slip, diamond plate steel floor.
- Inward swing, self-closing locking access door. Heavy-duty hinge and latch standard on all models.
- Guardrail system complies with OSHA 29 CFR Part 1926.1431(e)6 and 1926.1431(e)7.
- Permanent identification/data plate standard on all models.
- Product liability insurance certificate available upon request.
- Solid, removable roof design is standard on all models - keeps weather off personnel to comply with OSHA 1926.1431(e)10.
- Permanent tie-off points for materials and tools to comply with OSHA 1926.1431(e).
- Lifting point shackles not included.

 Prop 65 – See Page 104

OPTIONAL EQUIPMENT

- Pin-on, removable test weight.
- 4 Leg Suspension Bridle with Bolt-Type anchor shackles.
- **Not to be used as a fork lift personnel basket**



OPTIONAL TOP RIGGING

OPTIONAL TEST WEIGHT

Capacity in Pounds*	Basket Part Number	Max # of People	Weight	Size A x B	OPTIONAL EQUIPMENT		
					Test Weight Part Number	Test Weight Quantity	4 Leg Suspension Bridle Part Number
500	14347	1	735	40" x 34"	14369	1	15189
1,000	12741	2	945	48" x 48"	12748	1	15189
1,500	12757	3	1200	72" x 48"	12766	1	15190
2,000	12755	4	1525	94" x 48"	12748	2	15191

* Call for specifications on larger sizes and capacities