
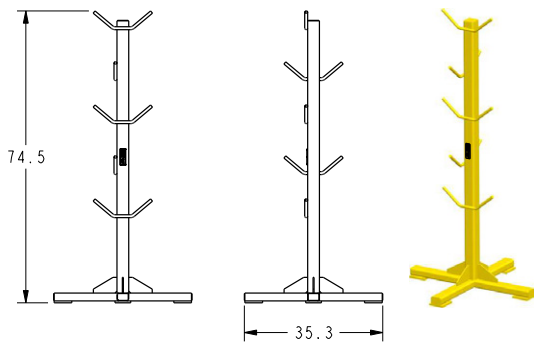


RIGGING RACKS

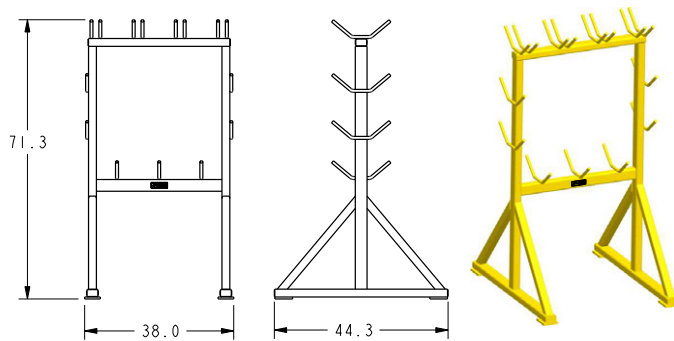
- Stands commonly used to organize and hang rigging, shackles & other slings off the floor

 Prop 65 – See Page 104



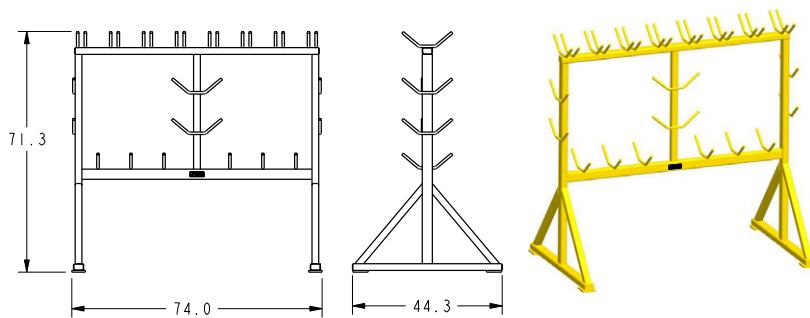
PART NUMBER
23573

300 LB Capacity
Weight = 125



PART NUMBER
23568

500 LB Capacity
Weight = 260



PART NUMBER
23557

800 LB Capacity
Weight = 350