

PALLET LIFTER

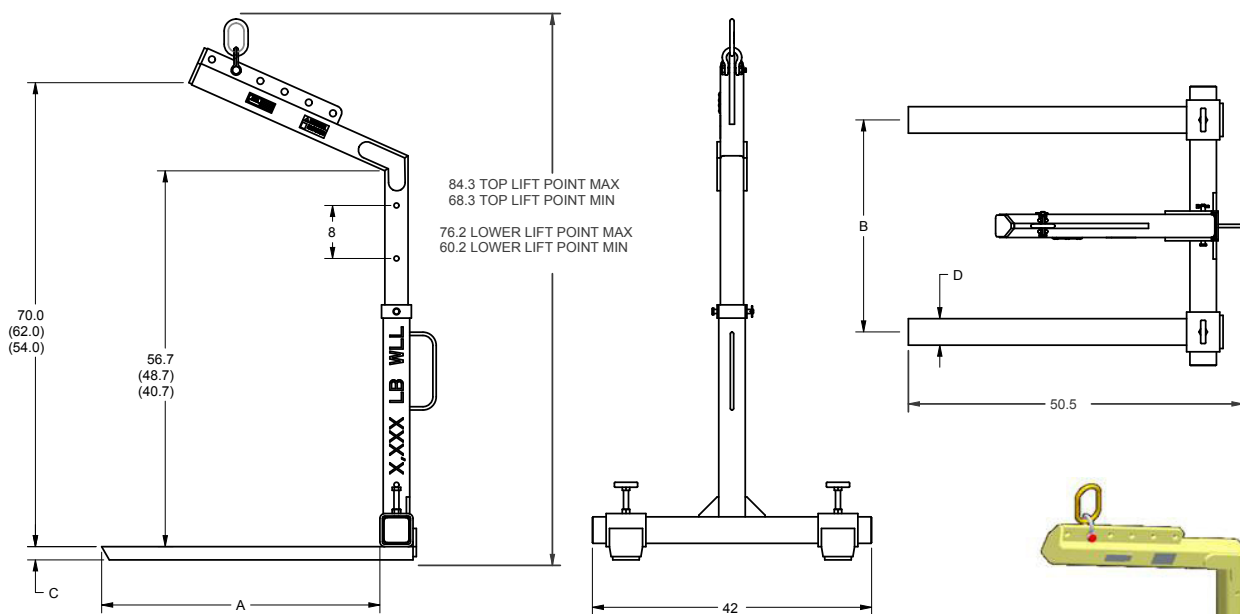
with Adjustable Lifting Base
and Adjustable Lift Bale



PALLET LIFTER WITH ADJUSTABLE LIFTING BASE AND ADJUSTABLE LIFT BALE

- Manufactured to exceed all ASME B30.20 and OSHA regulations.
- Painted safety yellow for increased visibility.
- **ALL** material handling equipment proof loaded and shipped with certification paperwork.
- Durable construction ideally suited to jobsite or warehouse use.
- Made in U.S.A.
- Custom designs available - call for engineering.

Prop 65 – See Page 104



Working Load Limit in Pounds*	Part Number	A	B	C	D	Weight in Pounds
4,000	12412	42	17 to 36	2	4	400

* Call for specifications on larger sizes and capacities

** FOR A LEVEL LIFT, THE CENTER LIFTING BAIL MUST BE OVER THE LOADS CENTER OF GRAVITY

Converts crane or hoist into aerial forklift.
Fork Length : 42"
Adjustable Fork Spacing : 17 - 36"

