


MATERIAL HANDLING

Pipe Lifting Hooks - SOLD IN PAIRS

PIPE LIFTING HOOKS - SOLD IN PAIRS

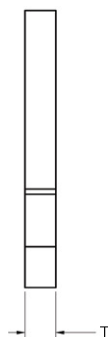
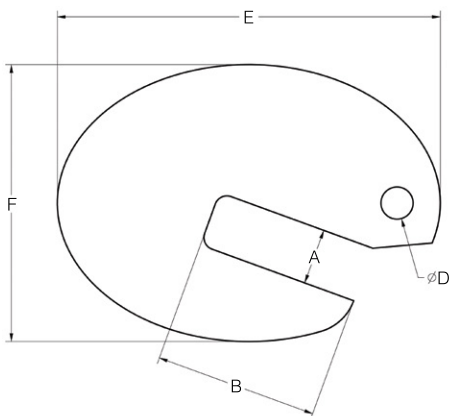
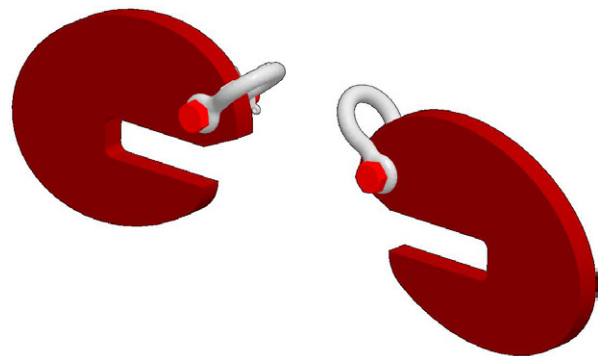
- Manufactured to exceed all ASME B30.20 and OSHA regulations.
- Painted safety red for increased visibility.
- Durable construction ideally suited to jobsite or warehouse use.
- Made in U.S.A.
- Custom designs available - call for engineering.
- **ALL** lifting equipment individually proof loaded per OSHA requirements.

 Prop 65 – See Page 104

Working Load Limit in Pounds*	Part Number	A	B	C	D	T	E	F	Weight per Pair	Shackle Part Number
4,000	11903	1.13	3.30	0.63	0.65	5/8	7.75	5.60	12	1019472
8,000	11904	1.25	2.50	0.75	0.65	3/4	7.60	6.47	14	1019472
10,000	16194	3.38	3.00	1.00	0.81	1.0	8.28	8.72	28	1019490

* Call for specifications on larger sizes and capacities

- Working load limit capacity is PER PAIR.
- Supplied with Safety Shackle as per picture.
- Painted safety red for increased visibility.
- Designed to carry and lift steel and other types of pipe.



CHAIN SOLD SEPARATE

