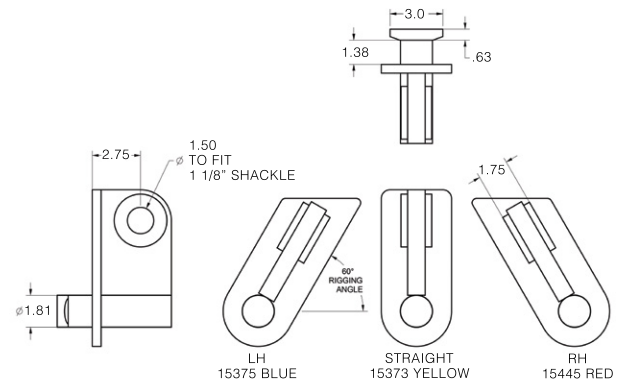
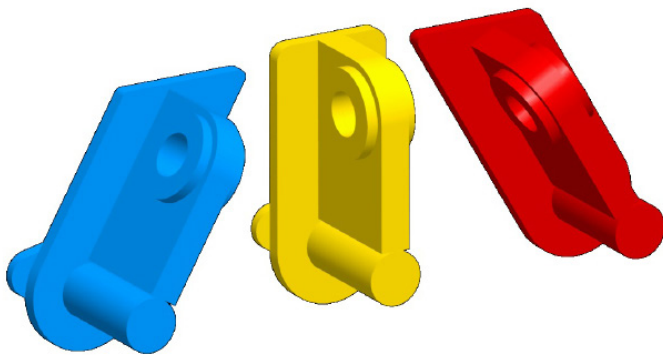


CONTAINER LIFTING LUGS

- Manufactured to exceed all ASME B30.20 and OSHA regulations.
- Lifting Lugs proof loaded and shipped with certification paperwork.
- Durable construction ideally suited to jobsite or warehouse use.

- Sold individually
- Made in U.S.A.
- Top of lug must be horizontal to show proper engagement for lifting.

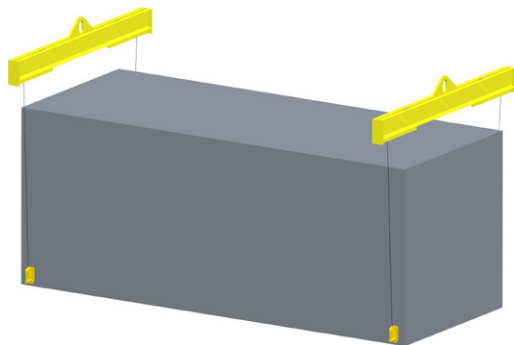
Prop 65 – See Page 104



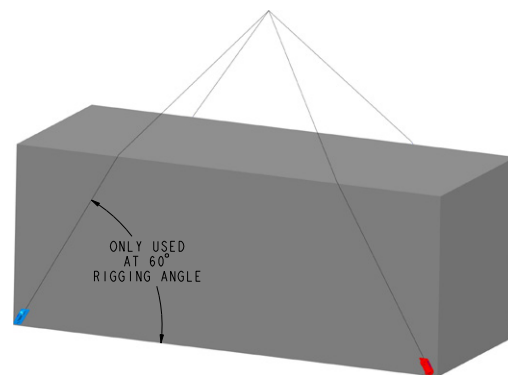
Working Load Limit in Pounds*	Part Number	Color	Style	Weight in Pounds
19,000	15373	Yellow	Straight	17
19,000	15375	Blue	Left	17
19,000	15445	Red	Right	17

NOTE: Typical container lift will require 2 left and 2 right lugs. Or will require 4 straight lugs with appropriate spreader / lifting beam and rigging.

***NOT FOR PULLING**



Straight setup
Typically used with lift beam or spreader beam
Used only on lower corners of the long slides



LH / RH setup
Used only on lower corners of the long sides