

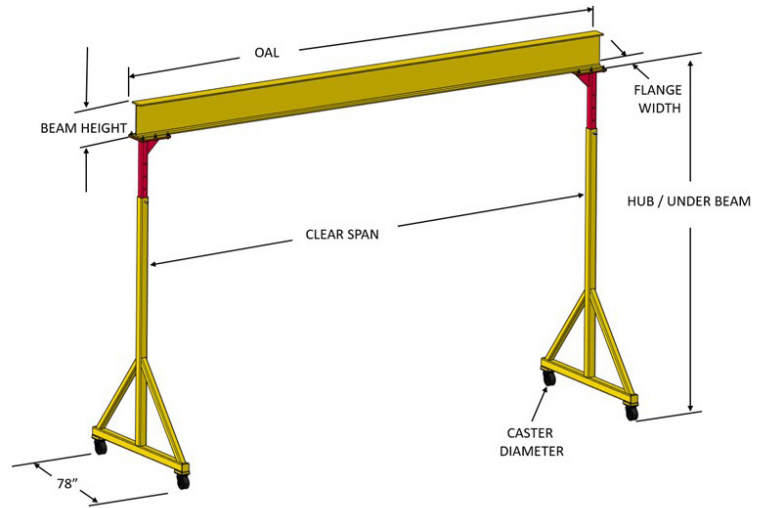
GANTRY CRANE

Adjustable Height – Steel

ADJUSTABLE HEIGHT – STEEL GANTRY CRANE

- Bolt on top beam
- Sold with phenolic casters
- Options: Caster brakets, bolt on end stops, bolt on taglines, and trollies

 Prop 65 – See Page 112



Part #	Capacity	Hub (Under Beam)	Height Adjustments	Overall Length (OAL)	Clear Span	Flange Width	Beam Height	Caster Diameter	Weight
24943	1 Ton (2,000 LBS)	7'-10'	6"	10'	108"	4"	6"	6"	912
24942	1 Ton (2,000 LBS)	9'-12'	6"	10'	108"	4"	6"	6"	949
24941	1 Ton (2,000 LBS)	12'-15'	6"	10'	108"	4"	6"	6"	1005
24940	1 Ton (2,000 LBS)	7'-10'	6"	15'	168"	5.25"	8.1"	6"	1070
24939	1 Ton (2,000 LBS)	9'-12'	6"	15'	168"	5.25"	8.1"	6"	1107
24938	1 Ton (2,000 LBS)	12'-15'	6"	15'	168"	5.25"	8.1"	6"	1163
24937	1 Ton (2,000 LBS)	7'-10'	6"	20'	228"	5.77"	10.3"	6"	1323
24936	1 Ton (2,000 LBS)	9'-12'	6"	20'	228"	5.77"	10.3"	6"	1361
24935	1 Ton (2,000 LBS)	12'-15'	6"	20'	228"	5.77"	10.3"	6"	1416
24933	3 Ton (6,000 LBS)	7'-10'	6"	10'	108"	5.77"	10.3"	6"	1054
24932	3 Ton (6,000 LBS)	9'-12'	6"	10'	108"	5.77"	10.3"	6"	1095
24927	3 Ton (6,000 LBS)	12'-15'	6"	10'	108"	5.77"	10.3"	6"	1150
24931	3 Ton (6,000 LBS)	7'-10'	6"	15'	168"	6.56"	12.5"	6"	1329
24930	3 Ton (6,000 LBS)	9'-12'	6"	15'	168"	6.56"	12.5"	6"	1370
24926	3 Ton (6,000 LBS)	12'-15'	6"	15'	168"	6.56"	12.5"	6"	1422
24929	3 Ton (6,000 LBS)	7'-10'	6"	20'	228"	7.04"	16.1"	6"	1710
24928	3 Ton (6,000 LBS)	9'-12'	6"	20'	228"	7.04"	16.1"	6"	1740
24949	3 Ton (6,000 LBS)	12'-15'	6"	20'	228"	7.04"	16.1"	6"	1806
24953	5 Ton (10,000 LBS)	7'-10'	6"	10'	107"	7.04"	16.3"	6"	1573
24952	5 Ton (10,000 LBS)	9'-12'	6"	10'	107"	7.04"	16.3"	6"	1661
24951	5 Ton (10,000 LBS)	12'-15'	6"	10'	107"	7.04"	16.3"	6"	1792
24950	5 Ton (10,000 LBS)	7'-10'	6"	15'	167"	9.02"	24.1"	6"	2380
24949	5 Ton (10,000 LBS)	9'-12'	6"	15'	167"	9.02"	24.1"	6"	2470
24948	5 Ton (10,000 LBS)	12'-15'	6"	15'	167"	9.02"	24.1"	6"	2590
24947	5 Ton (10,000 LBS)	7'-10'	6"	20'	227"	9.02"	24.1"	6"	2792
24946	5 Ton (10,000 LBS)	9'-12'	6"	20'	227"	9.02"	24.1"	6"	2880
24955	5 Ton (10,000 LBS)	12'-15'	6"	20'	227"	9.02"	24.1"	6"	3015