
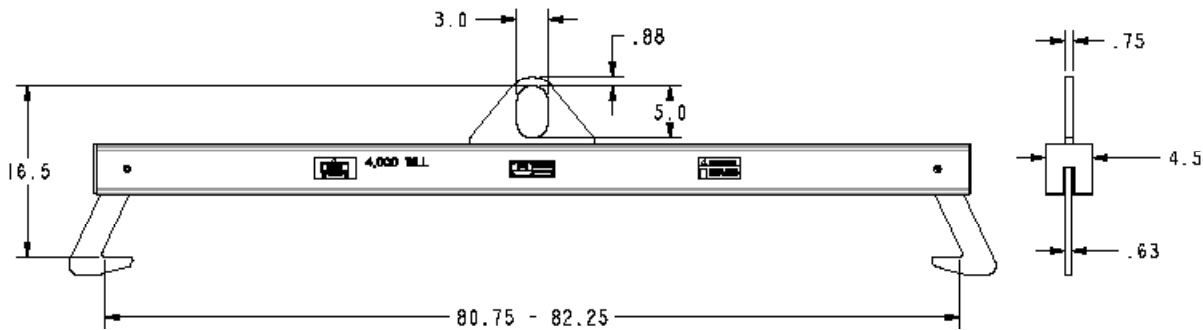
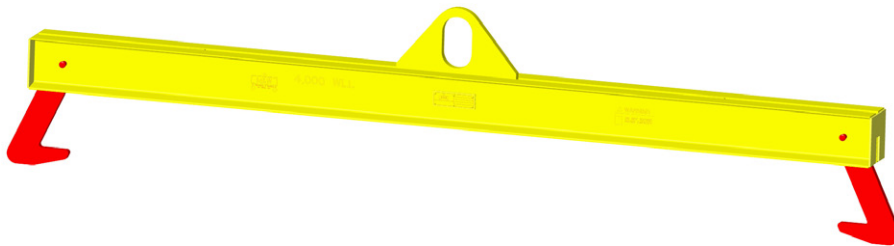


CHLORINE CYLINDER LIFT BEAM

- Manufactured to exceed all ASME B30.20 and OSHA regulations.
- Painted safety yellow for resistance to corrosion.
- **ALL** Lifting Beams proof loaded and shipped with certification paperwork
- Durable construction ideally suited to jobsite or warehouse use.
- Made in U.S.A.
- Custom designs available - call for engineering.
- **ALL** lifting equipment individually proof loaded per OSHA requirements.

 Prop 65 – See Page 112



Part Number	Working Load Limit	Weight
19829	4,000	160