

**MATERIAL BASKETS WITH FIXED SIDES**

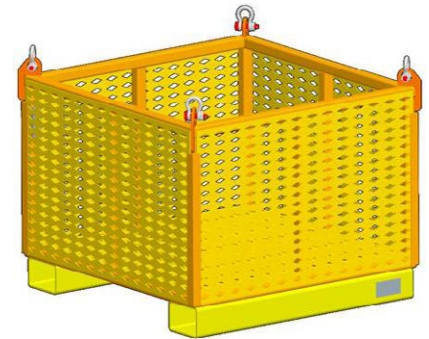
- Manufactured to exceed all ASME B30.20 and OSHA regulations.
- Painted safety yellow for resistance to corrosion.
- **ALL** material baskets shipped with proof load certification paperwork.
- Durable construction ideally suited to jobsite or warehouse use.
- Pick from lifting points with top rigging.
- Made in U.S.A.
- Custom designs available - call for engineering.

**NOT FOR PERSONNEL LIFTING.**

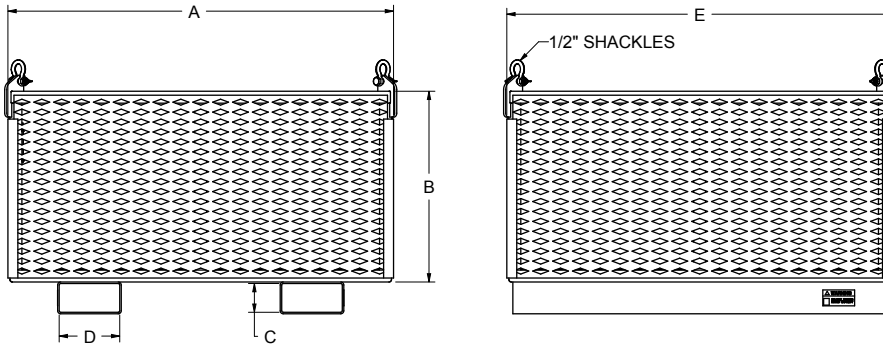
Prop 65 – See Page 112



Capacity in Pounds*	Part Number	A	B	C	D	E	Weight	Includes Shackles
2,500	<b>11827</b>	36	24	4.0	6.0	36	320	1/2"
2,500	<b>11829</b>	48	24	4.0	8.0	48	360	1/2"
2,500	<b>16006</b>	60	24	4.0	8.0	48	450	1/2"



\* Call for specifications on larger sizes and capacities



**WITH CASTERS**

Capacity in Pounds*	Part Number	A	B	C	D	E	Weight	Includes Shackles
2,500	<b>23954</b>	36	24	4.0	6.0	36	320	1/2"
2,500	<b>23955</b>	48	24	4.0	8.0	48	360	1/2"
2,500	<b>23956</b>	60	24	4.0	8.0	48	450	1/2"



**OPTIONAL**

Part Number	
<b>24985</b>	4 Leg Top Chain Rigging