

## MATERIAL BASKETS

Material Basket with Drop Side

### MATERIAL BASKET WITH DROP SIDE

- Manufactured to exceed all ASME B30.20 and OSHA regulations.
- Painted safety yellow for resistance to corrosion.
- **ALL** material baskets shipped with proof load certification paperwork.
- Durable construction ideally suited to jobsite or warehouse use.
- Pick from lifting points with top rigging.
- Made in U.S.A.
- Custom designs available - call for engineering.

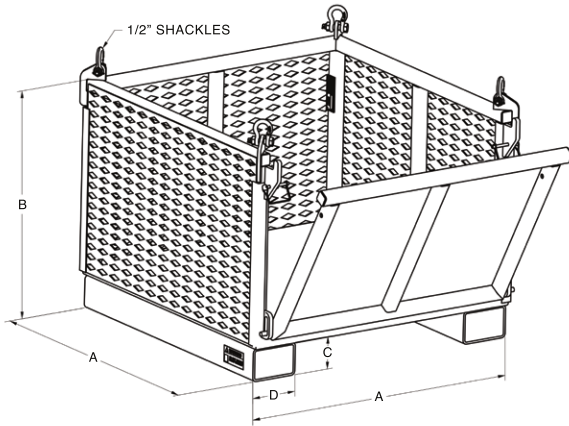
**NOT FOR PERSONNEL LIFTING.**

Prop 65 – See Page 112



Capacity in Pounds*	Part Number	A	B	C	D	Weight	Includes Shackles
2,500	<b>12902</b>	48"	28"	3.6"	7.6"	410	1/2"
2,500	<b>17594</b>	36"	28"	3.6"	7.6"	400	1/2"

\* Call for specifications on larger sizes and capacities



### WITH CASTERS

Capacity in Pounds*	Part Number	A	B	C	D	Weight	Includes Shackles
2,500	<b>23957</b>	48"	28"	3.6"	7.6"	410	1/2"
2,500	<b>23958</b>	36"	28"	3.6"	7.6"	400	1/2"



### OPTIONAL

Part Number	
<b>24985</b>	4 Leg Top Chain Rigging