

**FORKLIFT LIFTING BEAM - ADJUSTABLE BOOM**

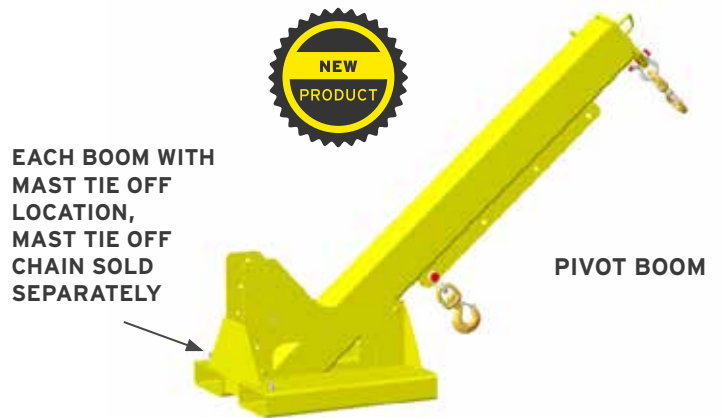
- Manufactured to exceed all ASME B30.20 and OSHA regulations.
- Painted safety yellow for increased visibility.
- **ALL** forklift attachments proof loaded and shipped with certification paperwork.
- Durable construction ideally suited to jobsite or warehouse use.
- Check with manufacturer of your forklift for load capabilities.
- Made in U.S.A.
- Includes forklift restraining tabs.
- Converts forklift into aerial crane. Fork Width : 6"
- Adjustable boom spacing at 48", 60" and 72"
- Boom comes equipped with alloy swivel latching hook.

 Prop 65 – See Page 112

	Part Number	Weight
Reach Over Boom	<b>16055</b>	375
Straight Boom	<b>23312</b>	260
Pivot Boom	<b>25107</b>	650

**OPTIONAL MAST TIE OFF CHAIN:**

Part Number	
20410	<b>Mast Tie Off Chain - 8' Long</b>



**WARNING:** M&W fork beams, fork booms, fork pockets and other lift attachments are modifications or additions that affect capacity and/or safe operation of forklifts (powered industrial trucks) and shall not be used without prior written approval from the forklift manufacturer. Capacity, Operation, Maintenance instruction plates, tags, and/or Decals shall be changed accordingly and not provided by M&W.

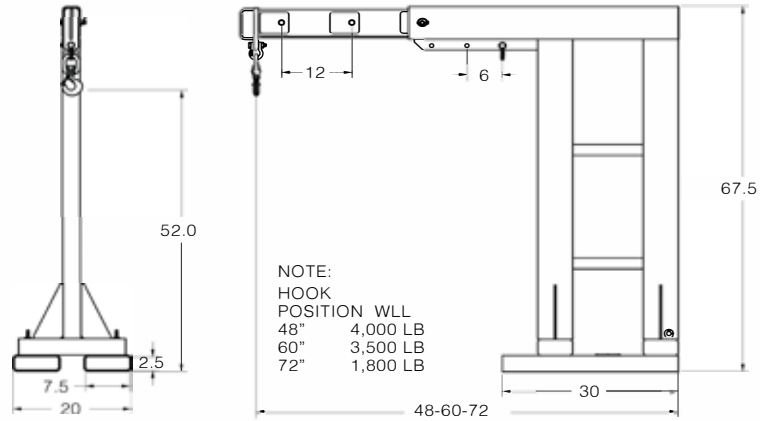
Reference OSHA 1910.178 | Any forklift attachment must use a tie off restraint to prevent from sliding off forks, sold separately

## FORKLIFT ATTACHMENTS

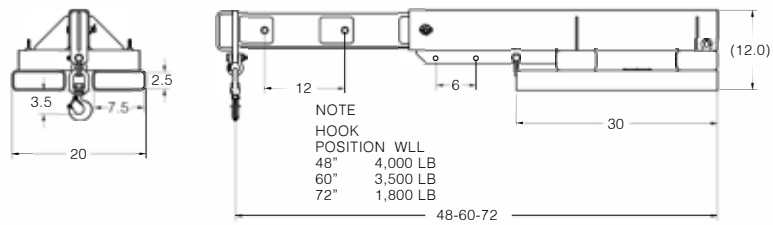
Forklift Adjustable Boom

### FORKLIFT LIFTING BEAM - ADJUSTABLE BOOM

#### REACH OVER BOOM



#### STRAIGHT BOOM



#### PIVOT BOOM

