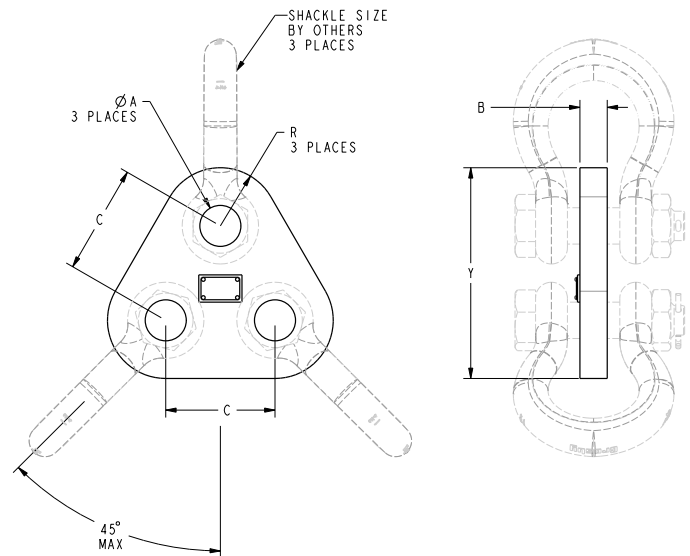


MATERIAL HANDLING

Triangle Rigging Plate / Equalizer

- 5 to 1 Design
- Used to equalize loads over multiple rigging lines
- Helps reduce crane hook rigging overcrowding when multiple rigging lines are required
- Reduces the chance of over loading a rigging line.
- Designed to allow for better load distribution in multiple lines.

 Prop 65 – See Page 112



Part Number	Working Load Limit in Pounds*	A	B	C	R	Y	Weight	Shackle Size	Max Rigging Angle
24783	37,400	2	1.25	4.75	2.5	9.11	20	1 1/2"	45°
24784	55,000	2.25	1.5	6	3.2	11.6	40	1 3/4"	45°
24785	77,000	2.38	2	6.38	3.5	12.52	70	2"	45°
24786	121,000	3	2.5	9.13	4.25	16.4	135	2 1/2"	45°

*Call for specifications on larger sizes and capacities.