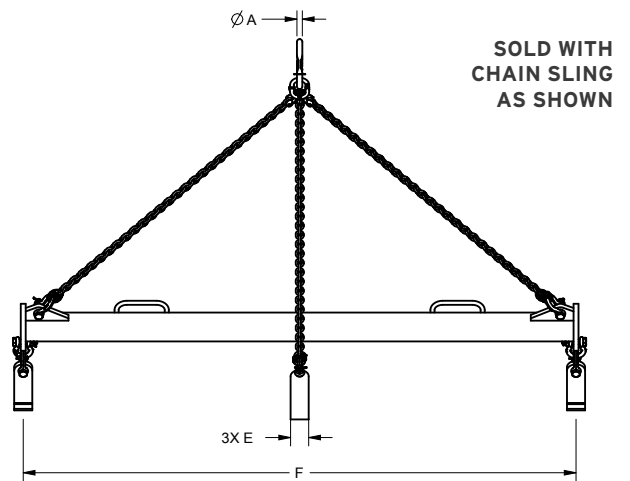
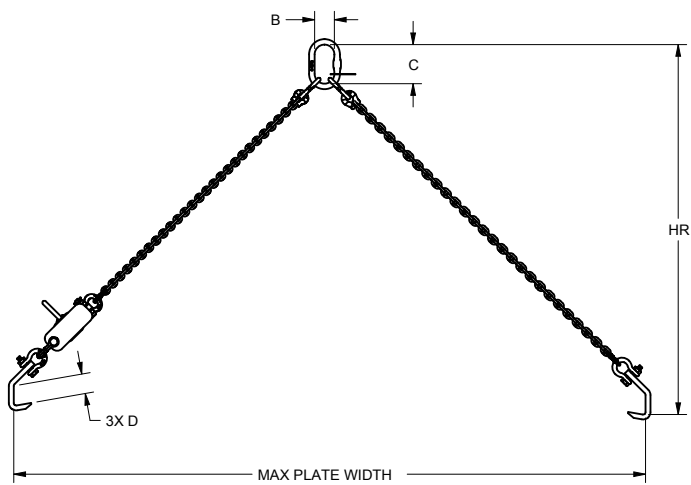


LIFTING BEAMS

Plate Lifting Beams

- Manufactured to exceed all ASME B30.20 and OSHA regulations.
- Painted safety yellow for increased visibility.
- **ALL** Lifting Beams proof loaded and shipped with certification paperwork.
- Durable construction ideally suited to jobsite or warehouse use.
- Made in U.S.A.
- **ALL** lifting equipment individually proof loaded per OSHA requirements.
- All dimensions in inches unless otherwise noted.
- Max Plate Width : 96"

 Prop 65 – See Page 112



Working Load Limit in Pounds*	Part Number	A	B	C	D	E	F	HR	Weight in Pounds
10,000	14633	0.82	3.00	6.00	3.00	2.75	84	57	140
20,000	14632	1.28	5.00	9.00	4.00	3.50	84	59	245

* Call for specifications on larger sizes and capacities

