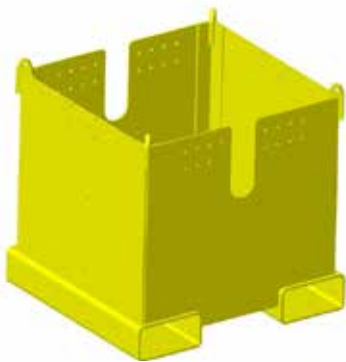


- Commonly used to organize and hang rigging, shackles & other slings off the floor

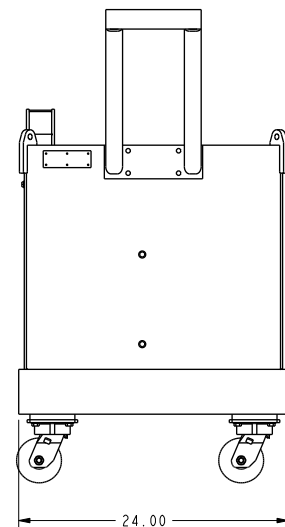
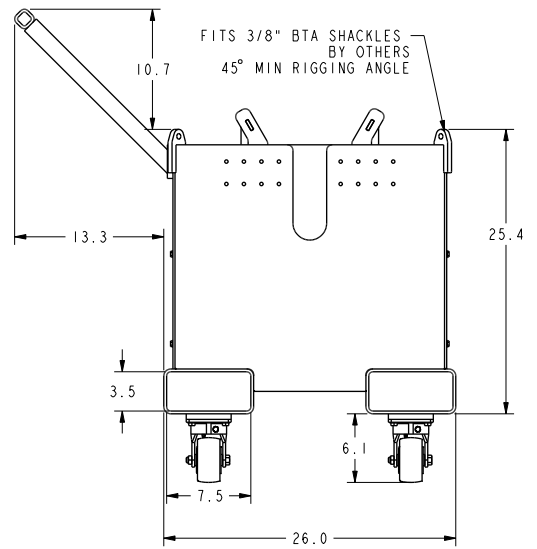
Prop 65 – See Page 112



**INSIDE:  
24"X22"X20" DEEP**



**SHOWN WITH  
OPTIONAL HANDLE,  
DIVIDER, MASTER  
LINK HOLDER  
AND CASTERS**



**CHAIN BOX**

Part Number	Capacity	Weight
25037	1,000	335

**OPTIONS**

	Part Number
Handle	19790-40
Divider	25037-50
Masterlink Holder	25037-51
4 Swivel Casters	25037-52