

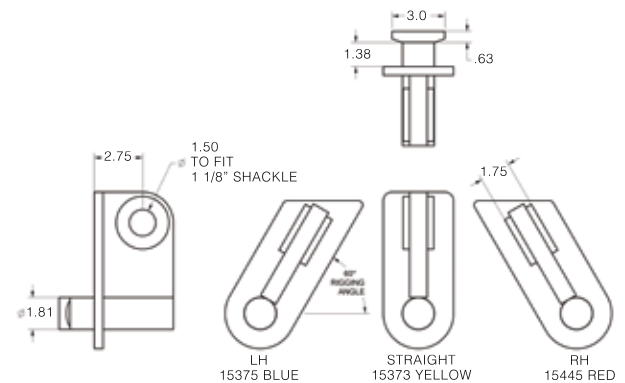
CONTAINER LIFTING

Universal Container Lifting Beam

- Manufactured to exceed all ASME B30.20 and OSHA regulations.
- Lifting Lugs proof loaded and shipped with certification paperwork.
- Durable construction ideally suited to jobsite or warehouse use.
- User must determine if container is capable of being lifted with this device in the manner proposed.

- Sold individually
- Made in U.S.A.
- Top of lug must be horizontal to show proper engagement for lifting.

Prop 65 – See Page 112



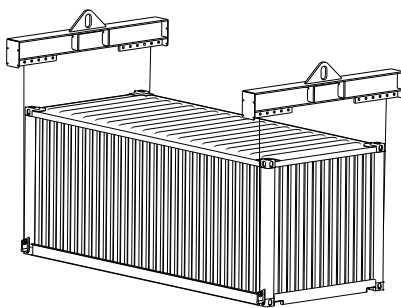
Working Load Limit in Pounds*	Part Number	Color	Style	Weight in Pounds
19,000	15373	Yellow	Straight	17
19,000	15375	Blue	Left	17
19,000	15445	Red	Right	17

NOTE: Typical container lift will require 2 left and 2 right lugs. Or will require 4 straight lugs with appropriate spreader / lifting beam and rigging.

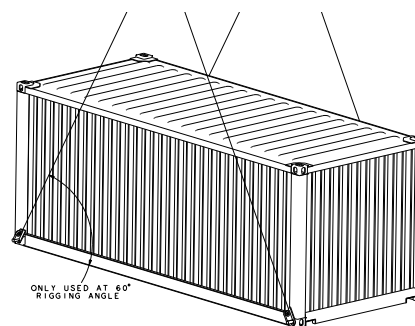
***NOT FOR PULLING**

LIFT BEAM (2 NEEDED)

SEE PAGE 10 FOR BEAM DETAILS



Straight setup
Typically used with lift beam or spreader beam
Used only on lower corners of the long slides



LH / RH setup
Used only on lower corners of the long slides