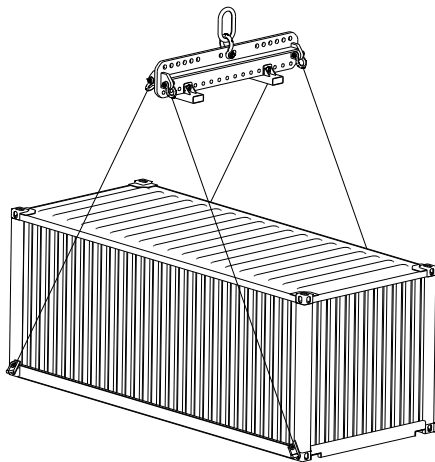


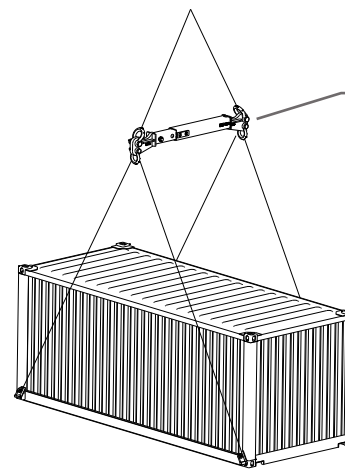
- Manufactured to exceed all ASME B30.20 and OSHA regulations.
  - Painted safety yellow for increased visibility.
  - Do not use with damaged, obsolete or rusted containers.
  - Do not exceed working load limit
  - Fork pockets used for beam transport only, not for lifting.
  - Made in U.S.A.
  - All rigging and shackles by others.
- User must determine if container is capable of being lifted with this device in the manner proposed.
  - **ALL** lifting equipment individually proof loaded per OSHA requirements and shipped with paperwork.

Prop 65 – See Page 112

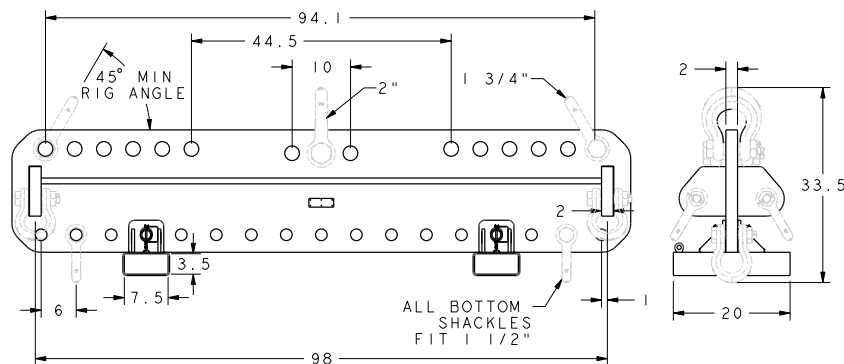
**UNIVERSAL BEAM**



**AJUSTABLE SPREADER**



SEE PAGE 38 FOR SPREADER DETAILS



Description	Part Number	Working Load Limit in Pounds	Pick Points Outside Spread	Lower Shackles	Upper Shackles	Weight in Pounds
Universal Beam	25828	75,000	98"	1 1/2"	2", 1 3/4"	1725
Adjustable Spreader	20136	80,000	84"- 120"	2"	2"	700*
Lift Beam	22173	40,000/EA	60"- 120"	1 1/8"	N/A	1574