


BEAM CLAMPS

Small Frame

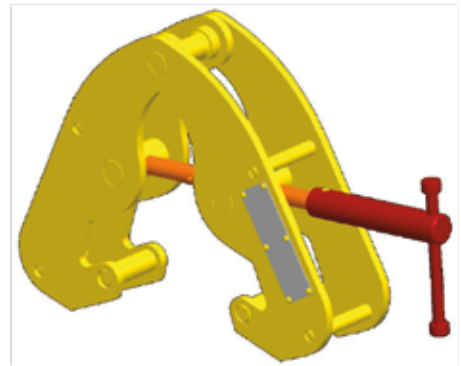
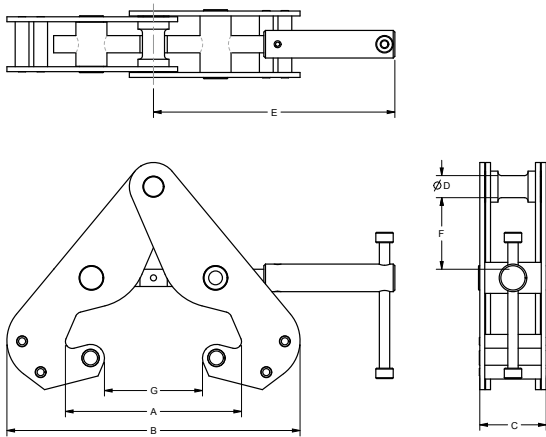
- Manufactured to exceed all ASME B30.20 and OSHA regulations.
- Painted safety yellow for increased visibility.
- Do not side load above angles of 45° from vertical.
- Durable construction ideally suited to jobsite or warehouse use.
- Made in U.S.A.
- Custom designs available - call for engineering.
- **ALL** lifting equipment individually proof loaded per OSHA requirements.

 Prop 65 – See Page 112

- Refer to side loading table below for reduction factors for side loading applications.
- Clamps to be used for lifting, pulling or as an anchor point.
- Ratings apply to clamps only. User is responsible for engineering calculations for all support steelwork.

WARNING: All clamps must be correctly applied to the beam by a competent person and fully hand tightened. If in doubt, contact M&W for recommendations.

| Reduction in Working Load Limits when side loads are applied | | | | |
|--|------|---------|----------|----------|
| Angle from Vertical | 0° | 0 - 15° | 15 - 30° | 30 - 45° |
| Reduction factor | none | 20% | 35% | 50% |



| Working Load Limit in Pounds* | Part Number | A | B | C | D | E | F | G | Weight | Maximum Flange Thickness | Minimum Flange Thickness | Maximum Flange Width | Minimum Flange Width | Maximum Slip Over Width |
|-------------------------------|--------------|-------|-------|------|------|-------|------|-------|--------|--------------------------|--------------------------|----------------------|----------------------|-------------------------|
| 2,240 | 13474 | 10.94 | 14.59 | 2.41 | 0.80 | 8.75 | 1.35 | 8.33 | 8.3 | 1.21 | 0.81 | 9.50 | 3.20 | 8.85 |
| 2,240† | 13510 | 15.74 | 20.52 | 2.94 | 0.80 | 10.63 | 1.65 | 13.42 | 13.8 | 1.45 | 0.75 | 13.50 | 3.75 | 11.50 |
| 4,480 | 13486 | 10.94 | 14.59 | 2.94 | 0.80 | 8.75 | 1.35 | 8.33 | 10.4 | 1.21 | 0.87 | 9.60 | 3.20 | 9.00 |
| 4,480† | 13553 | 15.74 | 20.52 | 3.19 | 0.80 | 10.63 | 1.65 | 13.42 | 16.1 | 1.45 | 0.81 | 14.50 | 3.50 | 14.00 |
| 6,720 | 13497 | 15.11 | 19.53 | 3.94 | 1.05 | 10.13 | 2.41 | 12.51 | 21.4 | 1.63 | 1.13 | 14.00 | 5.00 | 13.25 |
| 11,200 | 13648 | 15.11 | 19.53 | 4.19 | 1.38 | 10.13 | 2.24 | 12.51 | 25.6 | 1.63 | 1.13 | 14.00 | 4.25 | 13.00 |

*Call for specifications on larger sizes and capacities. † Indicates beam clamp for use on wide flange beams.