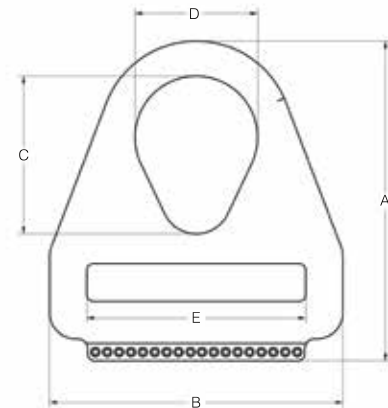
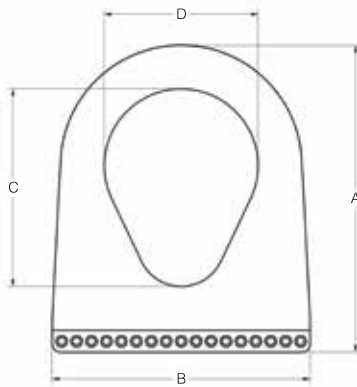


- Steel Triangle and Choker fittings engineered to be used on wire mesh body slings.
- Powder coat paint resists corrosion.
- Alloy steel for overhead lifting applications.
- 100% domestic parts and workmanship.
- Machined to exacting tolerances.

 Prop 65 – See Page 112

SPECIFICATIONS FOR WIRE MESH TRIANGLES							WLL Vertical	WLL 90 Degree Basket	Minimum Breaking Strength
Part Number	Sling Width	Dimensions				Weight			
		A	B	C	D				
17915	2	4.55	3.10	3.00	2.00	1.0	2,300	4,600	11,500
17925	3	5.18	3.86	3.50	2.50	1.5	3,500	7,000	17,500
17884	4	6.30	4.60	4.00	3.00	2.0	4,800	9,600	24,000
17917	6	7.00	5.87	4.50	3.50	3.5	7,200	14,400	36,000
17919	8	9.00	7.91	6.00	4.50	5.5	9,600	19,200	48,000
17921	10	9.25	9.95	6.25	4.75	6.5	12,000	24,000	60,000
17923	12	9.75	12.00	6.50	5.00	15.0	14,400	28,800	72,000



SPECIFICATIONS FOR WIRE MESH CHOKERS							WLL Vertical	WLL 90 Degree Basket	Minimum Breaking Strength	
Model Number	Sling Width	Dimensions								Weight
		A	B	C	D	E				
17916	2	6.63	4.50	3.00	2.00	3.25	2.0	2,300	4,600	11,500
17926	3	7.31	5.62	3.50	2.50	4.00	3.0	3,500	7,000	17,500
17885	4	7.93	6.37	4.00	3.00	4.75	3.5	4,800	9,600	24,000
17918	6	9.13	8.38	4.50	3.50	6.25	5.5	7,200	14,400	36,000
17920	8	11.38	10.75	6.00	4.50	8.25	9.0	9,600	19,200	48,000
17922	10	11.88	13.25	6.25	4.75	10.25	11.5	12,000	24,000	60,000
17924	12	12.88	15.50	6.50	5.00	12.36	15.0	14,400	28,800	72,000