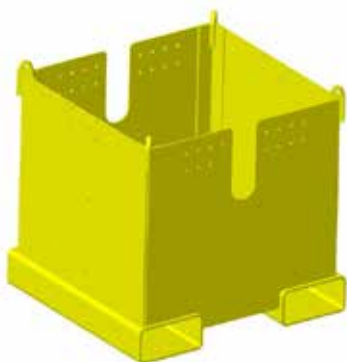
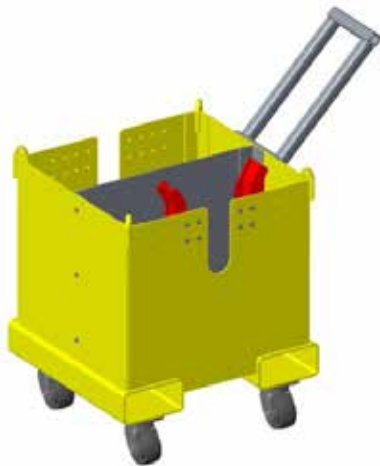


- Commonly used to organize and hang rigging, shackles & other slings off the floor

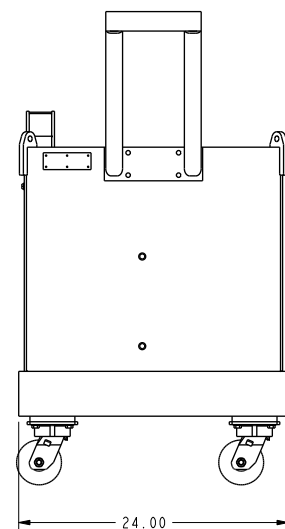
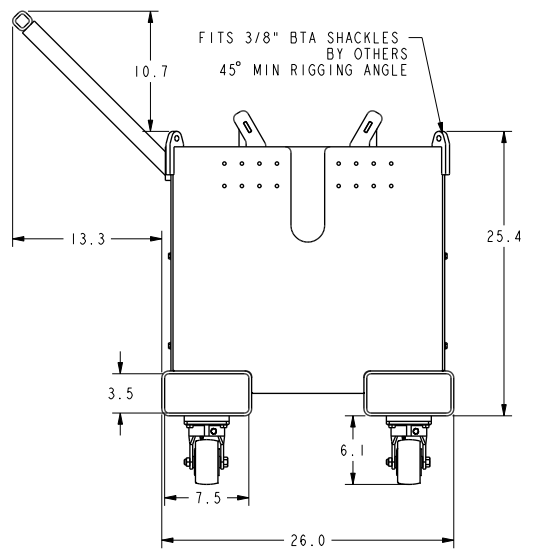
Prop 65 – See Page 112



**INSIDE:
24"X22"X20" DEEP**



**SHOWN WITH
OPTIONAL HANDLE,
DIVIDER, MASTER
LINK HOLDER
AND CASTERS**



CHAIN BOX

Part Number	Capacity	Weight
25037	1,000	335

OPTIONS

	Part Number
Handle	19790-40
Divider	25037-50
Masterlink Holder	25037-51
4 Swivel Casters	25037-52