
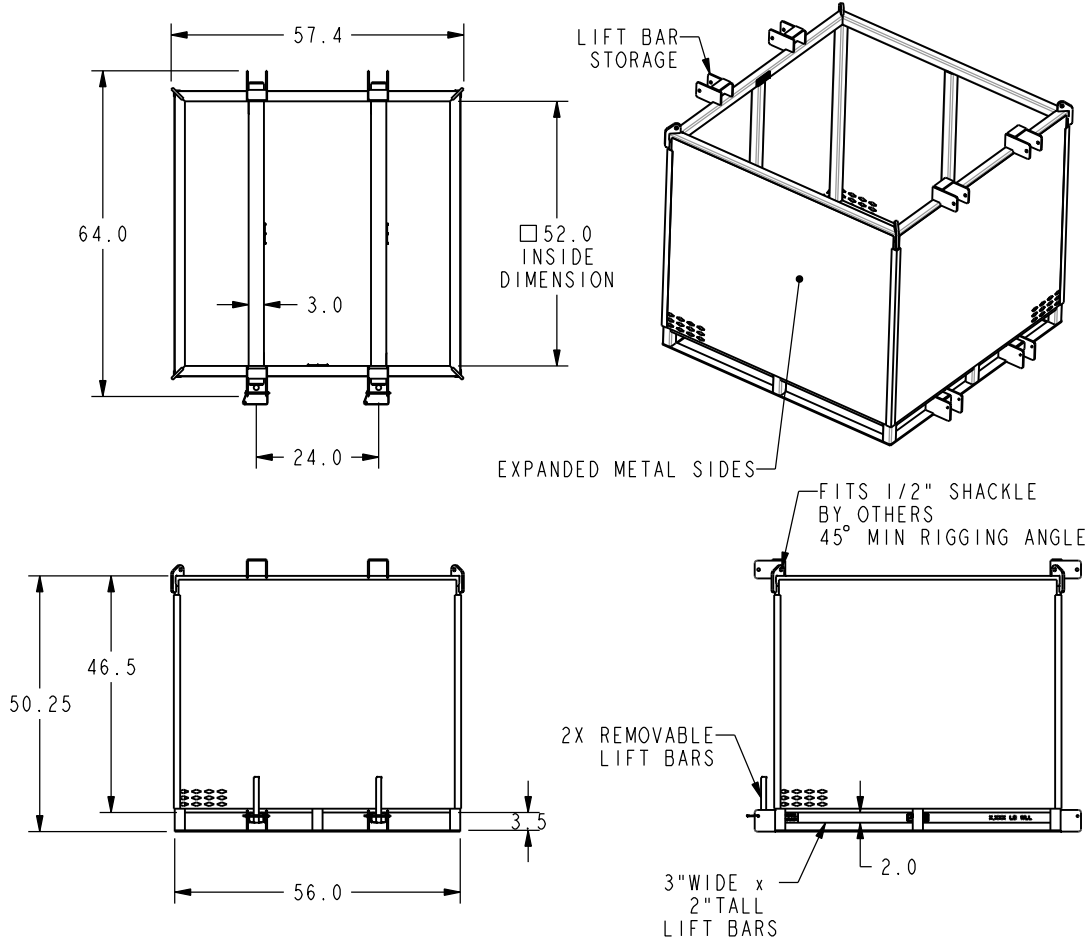


- Manufactured to exceed all ASME B30.20 and OSHA regulations.
 - Painted safety yellow for increased visibility.
 - Removable bottom lifting bars slide through pallet.
 - Expanded metal side cage.
 - 4 point top lift, with slig provided by others.
 - Do not use with damaged or broken pallets
 - Do not exceed working load limit
 - Made in U.S.A.
- All rigging and shackles by others.
 - User must determine if pallet is capable of being lifted with this device.
 - **ALL lifting equipment individually proof loaded per OSHA requirements and shipped with paperwork.**

 Prop 65 – See Page 112



Part Number	Working Load Limit	Weight	Inside Clearance
25504	4,400	660	52"