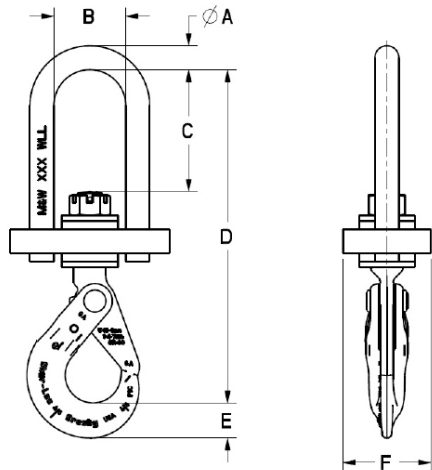


Insulated Swivel Hooks

- Manufactured to exceed all ASME B30.20 and OSHA regulations.
- **ALL** Lifting Hooks proof loaded and shipped with certification paperwork.
- Durable construction ideally suited to jobsite or warehouse use.
- Made in U.S.A.
- All dimensions in inches unless otherwise noted.
- Electrically insulated - helps eliminate current flow that may damage hoists and lifting equipment

Working Load Limit in Pounds*	Part Number	A	B	C	D	E	F	Weight in Pounds	Color
4,000	16355	0.75	2.25	3.75	9.0	1.0	2.75	6	Yellow
4,500	16358	0.75	2.25	3.81	10.43	1.1	2.75	7	Green



- **16355** Swivel hook with latch
- **16358** Crosby Shur-Loc® hook
- Insulated to 2,000 VDC

