

**Lifting Hooks**  
**Alloy Steel Latching J-Hooks**  
**Eye Style A**

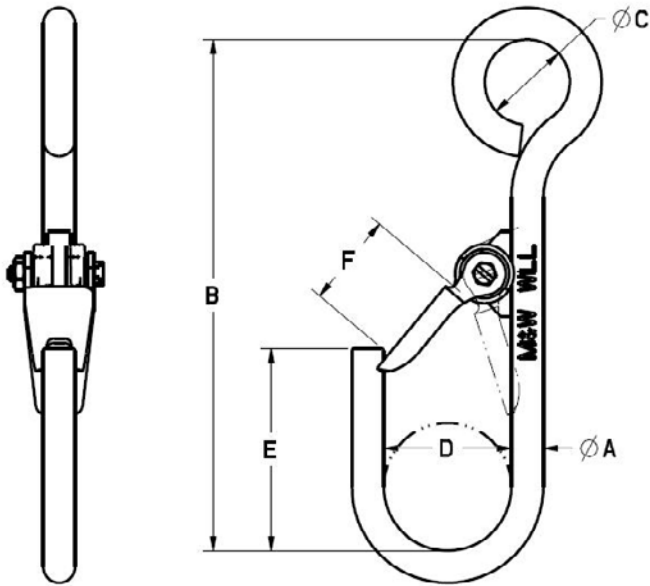
Machining & Welding  
 www.MachiningAndWelding.com

Sales@MachiningAndWelding.com



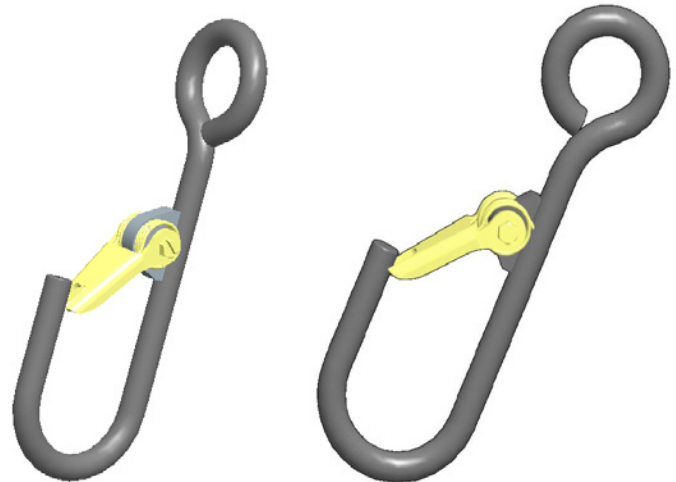
**Lifting Hooks : Alloy Steel Latching J-Hooks**

- Manufactured to exceed all ASME B30.20 and OSHA regulations.
- Corrosion resistant finish.
- Durable construction ideally suited to jobsite or warehouse use.
- Made in U.S.A.
- ±4% on dimensions.
- All eyes welded unless otherwise specified.
- **Maximum use temperature is 400° F.**



**Style B**

**Style A**



Material Diameter in Inches*	Style A Part Number	Style B Part Number	Standard Alloy Steel J-Hooks						Latch	Working Load Limit in Pounds*
			A	B	C	D	E	F		
1/4	<b>16284</b>	<b>17595</b>	0.25	4.50	1.00	1.25	2.00	0.82	1096325	125
5/16	<b>16016</b>	<b>17596</b>	0.32	5.00	1.00	1.25	2.00	1.01	1096421	250
3/8	<b>14924</b>	<b>17611</b>	0.38	6.00	1.00	1.50	2.38	1.10	1096468	365
1/2	<b>14767</b>	<b>17612</b>	0.50	8.00	1.00	2.00	3.13	1.48	1096515	650
5/8	<b>14930</b>	<b>17613</b>	0.62	9.00	1.00	2.50	4.32	1.72	1096562	1,000
3/4	<b>16383</b>	<b>17614</b>	0.75	10.00	1.25	3.00	5.25	2.03	1096609	1,435
7/8	<b>16384</b>	<b>17615</b>	0.88	12.00	1.25	3.50	6.25	2.38	1096657	1,900
1	<b>16385</b>	<b>17616</b>	1.00	14.00	1.25	4.50	8.25	2.90	1096704	2,300

\*Larger capacities and custom configurations available. Please call for ordering assistance.

LIFTING HOOKS