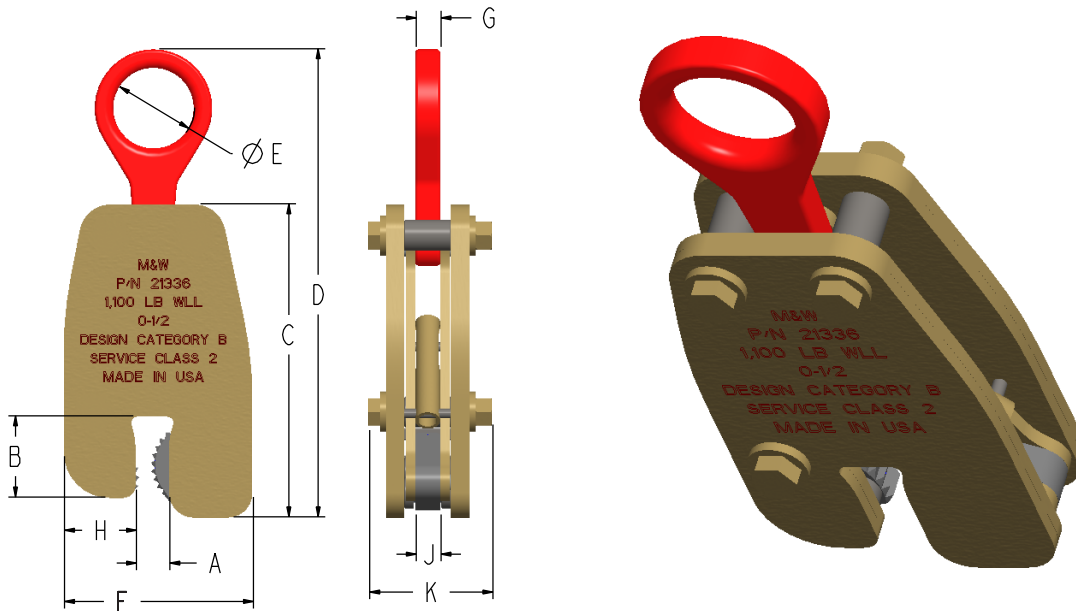


Plate Clamp — Straight

- Non-welded Construction.
- No Minimum Load
- Camming Stationary Jaw
- Camming Stationary Jaw Automatically Returns to Preload Position
- Self Locking Jaw Closed Mechanism
- Self Locking Jaw Open Mechanism
- 0 – 180 Degree Turning Permissible
- Clamp can be mounted to the work piece without the need for the operator to put hands in the fall path of the work piece
- Designed with a 5 –1 Design Factor Criteria
- ASME B30.20 Operation Compliant
- ASME B30.BTH -1 Design Compliant
- Working Load Limit (WLL) Clearly and Legibly Marked on the Clamp
- Serial Number Clearly and Legibly Marked on the Clamp
- Materials of Manufacture Remain Stable Under Load
- Clamps Can Be Used to Lift Materials with a Surface Hardness of up to 400 Brinell.
- Clamps must be used in accordance with the Instructions in the Operator Manual.
- Operating temperature -40 to 170° Fahrenheit.



Straight

Straight Plate Clamp

WLL (LBS)	Part #	A-Jaw Opening	B	C	D	E	F	G	H	J	K	Weight in Pounds
0-1,100	21336	0-0.5	1.64	6.31	9.44	1.63	3.81	0.5	1.45	0.5	2.5	6.1
	21716	0.5-1.0	1.64	6.31	9.44	1.63	4.31	0.5	1.45	0.5	2.5	6.4
	21717	1.0-1.5	1.64	6.31	9.44	1.63	4.81	0.5	1.45	0.5	2.5	6.7
0-2,200	21851	0-0.75	1.92	8.06	13.5	2.13	5.5	0.5	1.71	0.75	2.75	11.2
	21852	0.75-1.5	1.92	8.06	13.5	2.13	6.25	0.5	1.71	0.75	2.75	11.9
	21853	1.5-2.25	1.92	8.06	13.5	2.13	7	0.5	1.71	0.75	2.75	12.6
0-4,400	21912	0-1.0	2.41	9.37	16.1	2.38	7	0.5	2.21	0.75	3.29	19.8
	21913	1.0-2.0	2.41	9.37	16.1	2.38	8	0.5	2.21	0.75	3.29	21.5
	21914	2.0-3.0	2.41	9.37	16.1	2.38	9	0.5	2.21	0.75	3.29	24