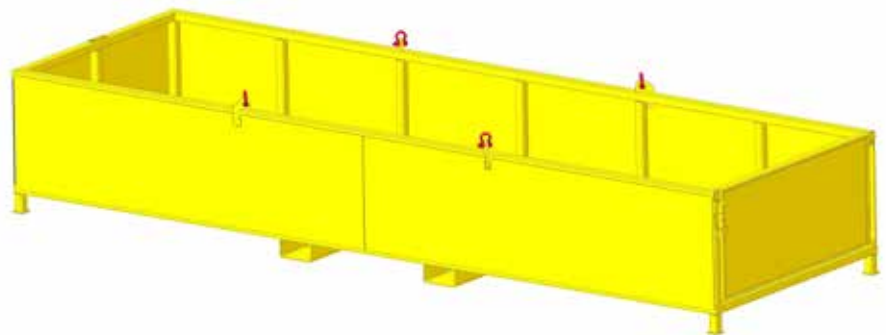
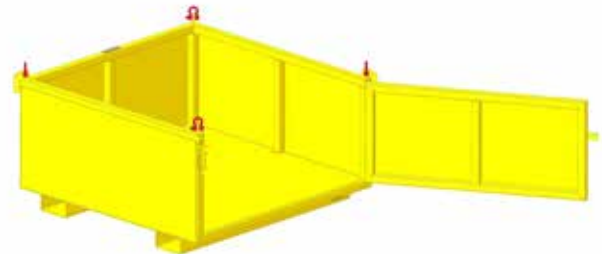
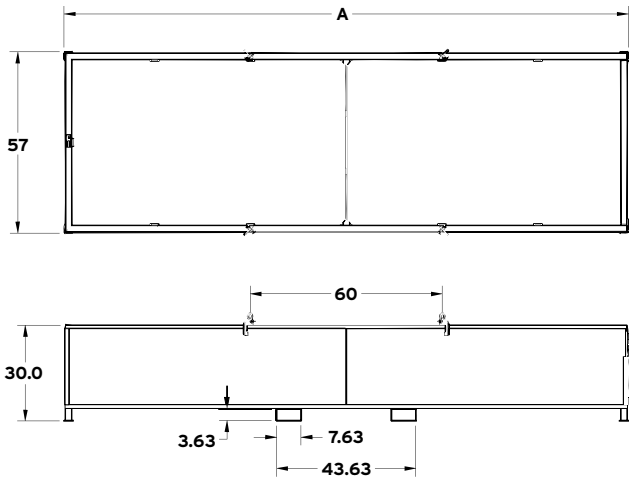


MATERIAL BASKETS

Material Basket with Fixed Sides and Swing Door

- Manufactured to exceed all ASME B30.20 and OSHA regulations.
- Painted safety yellow for resistance to corrosion.
- **ALL** material baskets shipped with proof load certification paperwork.
- Durable construction ideally suited to jobsite or warehouse use.
- Swing door with solid bottom
- Made in U.S.A.
- Custom designs available - call for engineering.
- **NOT FOR PERSONNEL LIFTING.**
- **Not water tight**

 Prop 65 – See Page 112



Capacity in Pounds*	Part Number	A	Inside Usable	Weight
2,500	25459	177"	172"x52"x24"	1,330
2,500	25462	58"	52"x52"x24"	525

OPTIONAL

Part Number	
24985	4 Leg Top Chain Rigging